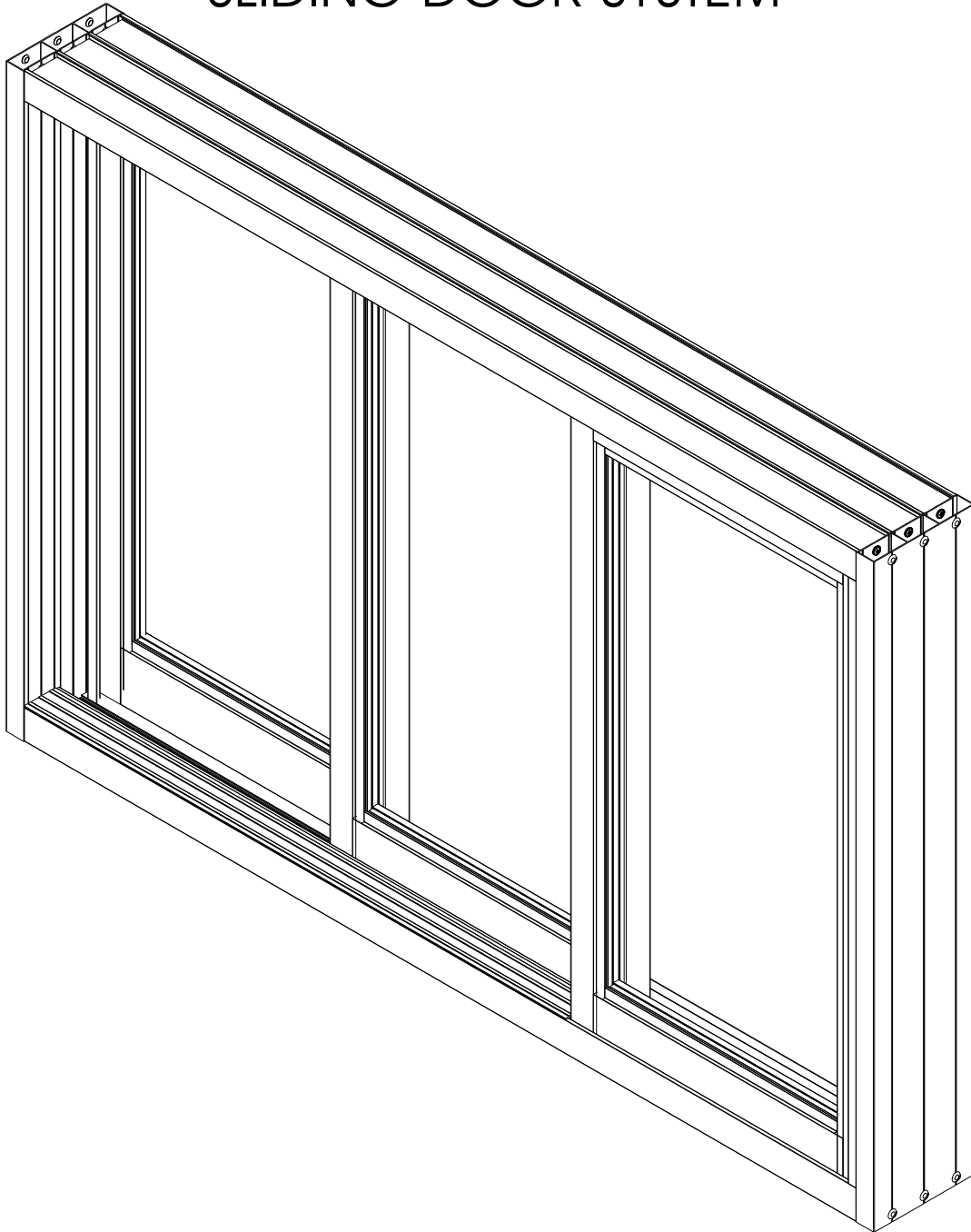




crealco

PALACE

CREALCO PALACE SLIDING DOOR SYSTEM



PRODUCT MANUAL

Disclaimer: The right to make alterations is reserved
© 2012 Wispeco (Pty) Ltd, All Rights Reserved
Revision: November 2012



crealco

PALACE

Index

Legal Disclaimer	4
Profile Identification	5-7
Hardware Identification	8
Double Track Configurations	9
Triple Track Configurations	10
Fixing Details	11
Cross Sectional Detail OX Configuration	12
Cross Sectional Detail 2 Panel Multi Slider Configuration	13
Cross Sectional Detail OXXO Configuration	14
Cross Sectional Detail 4 Panel Multi Slider Configuration	15
Cross Sectional Detail OXX Configuration	16
Cross Sectional Detail 3 Panel Multi Slider Configuration	17
Cross Sectional Detail OXXXXO Configuration	18
Cross Sectional Detail 6 Panel Multi Slider Configuration	19
Outer Frame Component Assembly Detail Double Track	20
Outer Frame Component Assembly Detail Triple Track	21
Insert Component Assembly Detail Sliding/Fixed	22
Insert Component Assembly Detail Sliding/Sliding	23
Cutting Detail <W55424>	24
Detail Showing <ROLL911SS> Against Door Jamb Lip	25
Double Sill Floor Level Detail	26
Triple Sill Floor Level Detail	27
Double Jamb Machining Detail	28
Triple Jamb Machining Detail	29
Sill Cover Machining Detail	30
Triple Jamb Adaptor Machining Detail	31
Head/Sill Rail Machining Detail To Suit All Combinations	32
Sill Combinations	33
Midrail Machining Detail To Suit All Combinations	34
R4 Filler Adaptor Machining Detail	35
Midrail Combinations	36
Fixed Interlocker Machining Detail	37

This manual must be read in conjunction with the Installation, Cleaning and Maintenance Document, BEE Certificates and the Performance Certificates for the relevant system. The manual must also be used in conjunction with the design and cutting list from the latest version of StarFront.

Disclaimer: The right to make alterations is reserved

© 2012 Wispeco (Pty) Ltd, All Rights Reserved

PAGE 2



crealco

PALACE

Index

Sliding Interlocker Machining Detail	38
Fixed Heavy Duty Interlocker Machining Detail	39
Sliding Heavy Duty Interlocker Machining Detail	40
90m Fixed Interlocker Machining Detail	41
Sliding Interlocker Machining Detail	42
Astragal Machining Detail	43
Heavy Duty Astragal Machining Detail For OX; OXXO & OXXXO	44
Heavy Duty Astragal Machining Detail For XX; XXX; XXXX; XXXXXXX	45
Spigot Machining Detail	46
Handle Machining Detail	47
Lock Machining Detail On Meeting Stile	48
Lock Machining Detail On Door Stile To Suit All Combinations	49
Roller Assembly Detail	50
Roller Assembly Detail On Multi Slider	51
Rod & Spigot Assembly Detail	52
Stopper Assembly Detail For OX, XXX, OXXXXO & XXXXXX	53
AAMSA Test	54
Setting Block Location	55

This manual must be read in conjunction with the Installation, Cleaning and Maintenance Document, BEE Certificates and the Performance Certificates for the relevant system. The manual must also be used in conjunction with the design and cutting list from the latest version of StarFront.

Disclaimer: The right to make alterations is reserved

© 2012 Wispeco (Pty) Ltd, All Rights Reserved

PAGE 3



crealco

PALACE

LEGAL DISCLAIMER

All information, recommendations or advice contained in this documentation is given in good faith to the best of Wispeco's knowledge and is based on current procedures in effect.

Since the actual use of this documentation by the user is beyond the control of Wispeco, such use is within the exclusive responsibility of the user. Wispeco cannot be held responsible for any loss incurred through incorrect or faulty use of this documentation.

Great care has been taken to ensure that the information provided is correct. Wispeco will accept no responsibility for any errors and/or omissions, which may have inadvertently occurred.

All mechanical joints must be sealed with a Wispeco approved joint sealer.

Laminated glass must not stand in water.

All drawings in the Wispeco Documentation are shown NOT to scale.

Wispeco cannot accept responsibility for the use of standard products since Wispeco does not know where these products are being installed.

The use of anti-magnetic stainless steel screws and pop rivets is recommended to reduce galvanic corrosion in harsh environments.

The hardware recommended in this documentation is suitable for use in most atmospheric environments. When hardware is used in severe coastal environments the manufacturer of the hardware must be consulted.

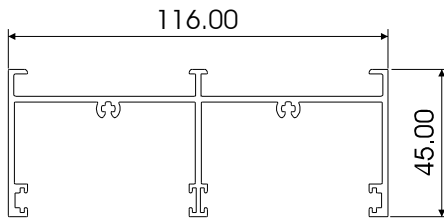
Fixing lugs on frames must be positioned as per the user manual and used in accordance to the AAAMSA specifications. When profiles are screwed together the screw centers must also be according to the user manual.

All glass used within Wispeco products must comply with SAGGA regulations.

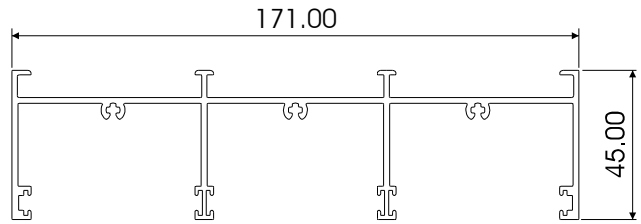
All glazing above 10m from ground level must be signed off by a competent person (Glazing) in accordance with the national building regulations

By continuing to use this documentation you acknowledge that you understand and accept the legal disclaimer.

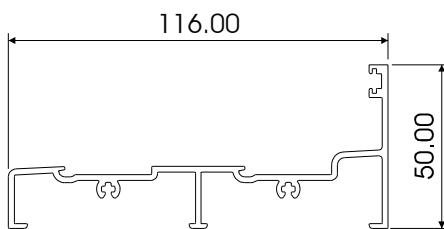
CREALCO PALACE SLIDING DOOR SYSTEM PROFILE IDENTIFICATION



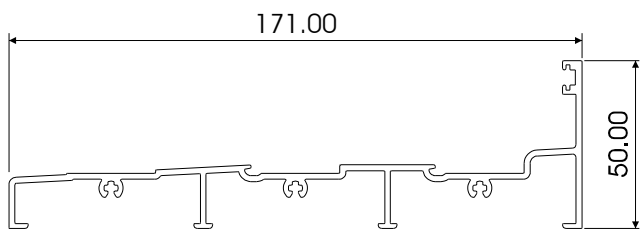
DOUBLE HEAD RAIL
W31533



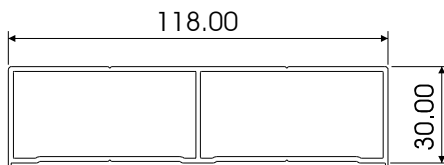
TRIPLE HEAD RAIL
W31537



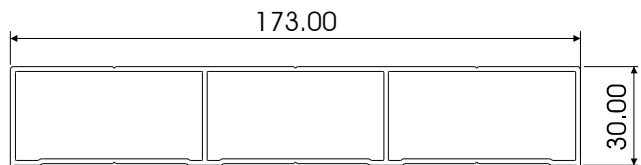
DOUBLE SILL
W31539



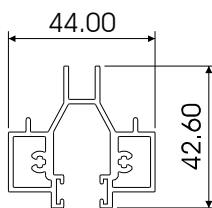
TRIPLE SILL RAIL
W31535



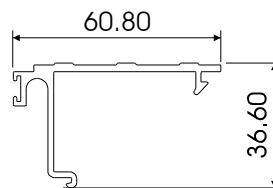
DOUBLE BOX JAMB
W55433



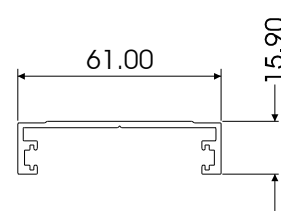
TRIPLE BOX JAMB
W55434



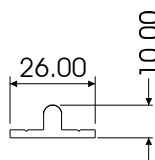
SILL EXTENTION
W55424



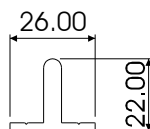
SILL COVER
W31538



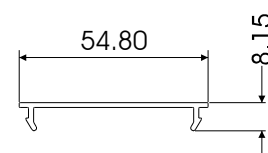
JAMB ADAPTOR
W31590



FLOOR TRACK
W26282

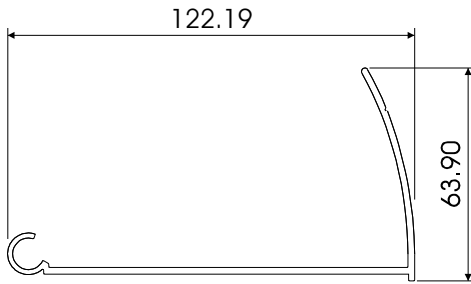


EXTENDED TRACK
W31594

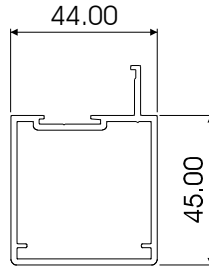


DOUBLE HEAD COVER
W31534

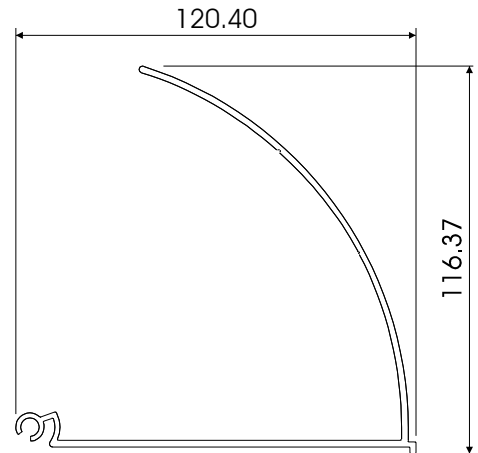
CREALCO PALACE SLIDING DOOR SYSTEM PROFILE IDENTIFICATION



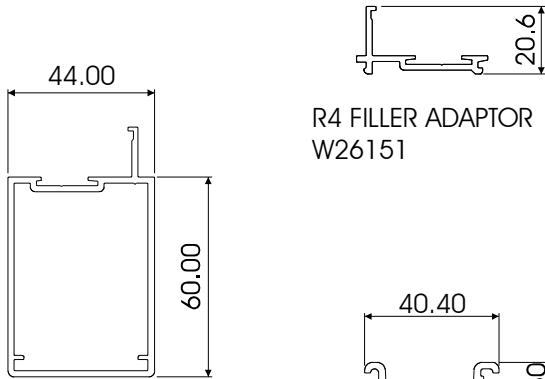
ADJUSTABLE CORNER 1
W29636



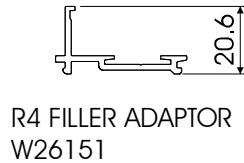
R1 DOOR JAMB
W44085



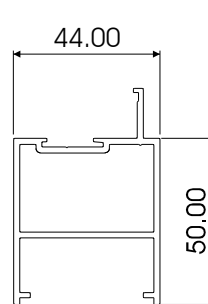
ADJUSTABLE CORNER 2
W29637



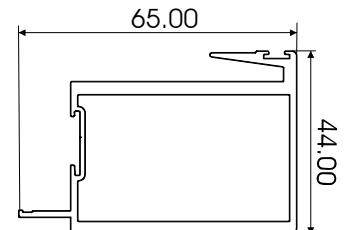
R11 DOOR STILE 60mm
W53098



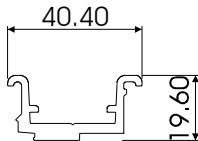
R4 FILLER ADAPTOR
W26151



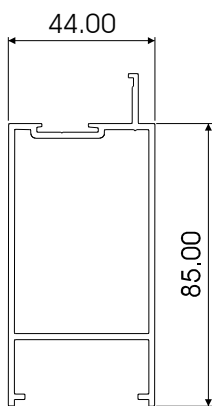
R7 HEAD/SILL
RAIL 50mm
W44087



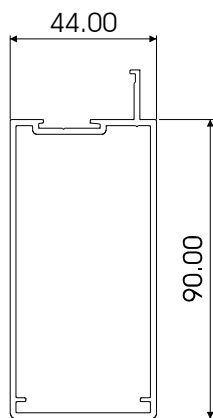
INTERLOCK FIXED 65mm
W56206



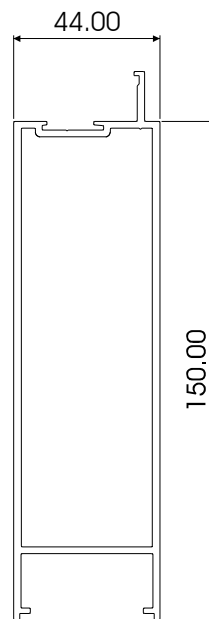
SPIGOT
W26197



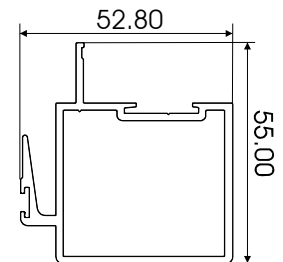
R4 HEAD/SILL RAIL 85mm
W44088



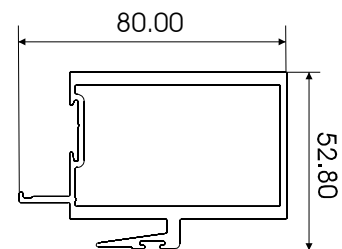
R9 DOOR STILE 90mm
W53406



R6 SILL RAIL 150mm
W44094

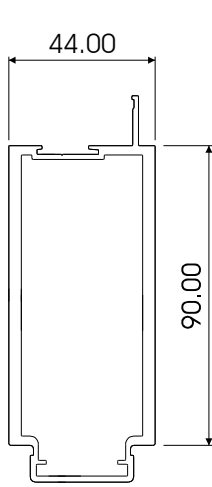


INTERLOCK SLIDE 40mm
W53101

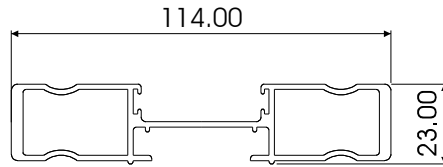


INTERLOCK SLIDE 65mm
W56205

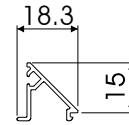
CREALCO PALACE SLIDING DOOR SYSTEM PROFILE IDENTIFICATION



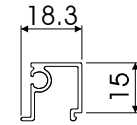
MEETING STILE
90MM
W54966



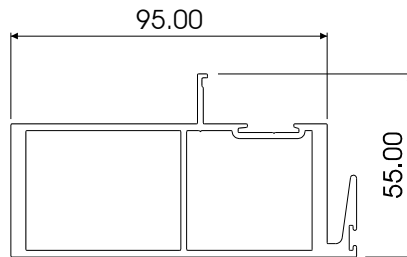
HEAVY DUTY ASTRAGAL
W53223



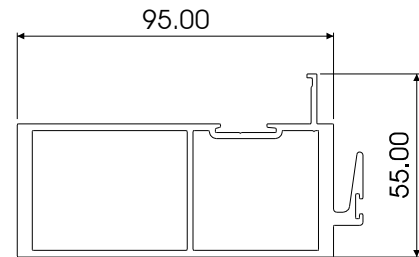
ANGLED
GLAZING BEAD
W14108



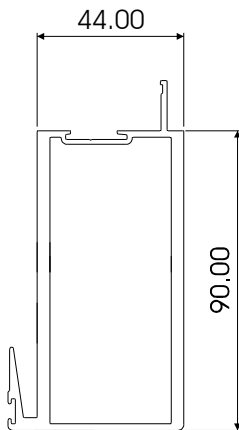
SQUARE
GLAZING BEAD
W14109



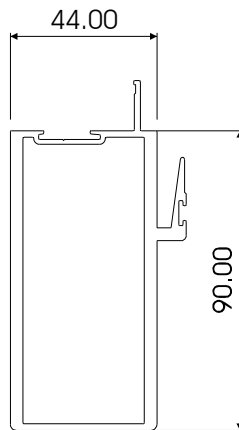
HEAVY DUTY
FIXED INTERLOCKER
W55371



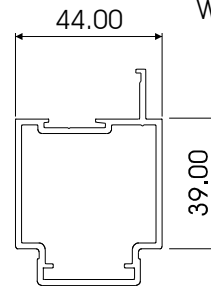
HEAVY DUTY
SLIDING INTERLOCKER
W55370



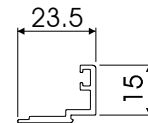
90mm INTER-
LOCKER FS
W54965



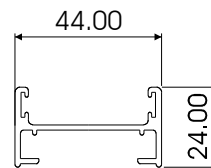
90mm INTER-
LOCKER OS
W54964



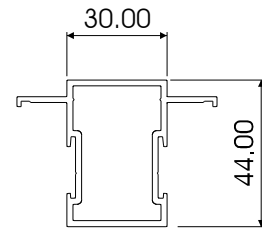
MEETING STILE
W53100



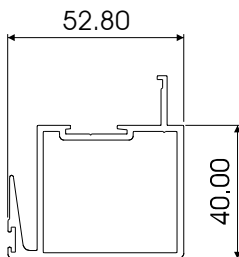
DOUBLE
GLAZING BEAD
W27882



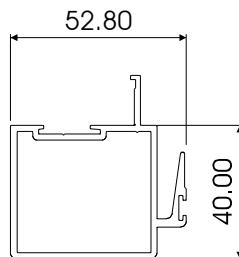
ASTRAGAL
W26399



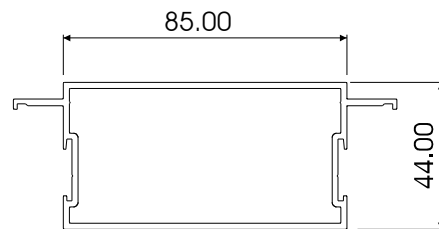
GLAZING BAR
W53033



FIXED
INTERLOCKER
W53098

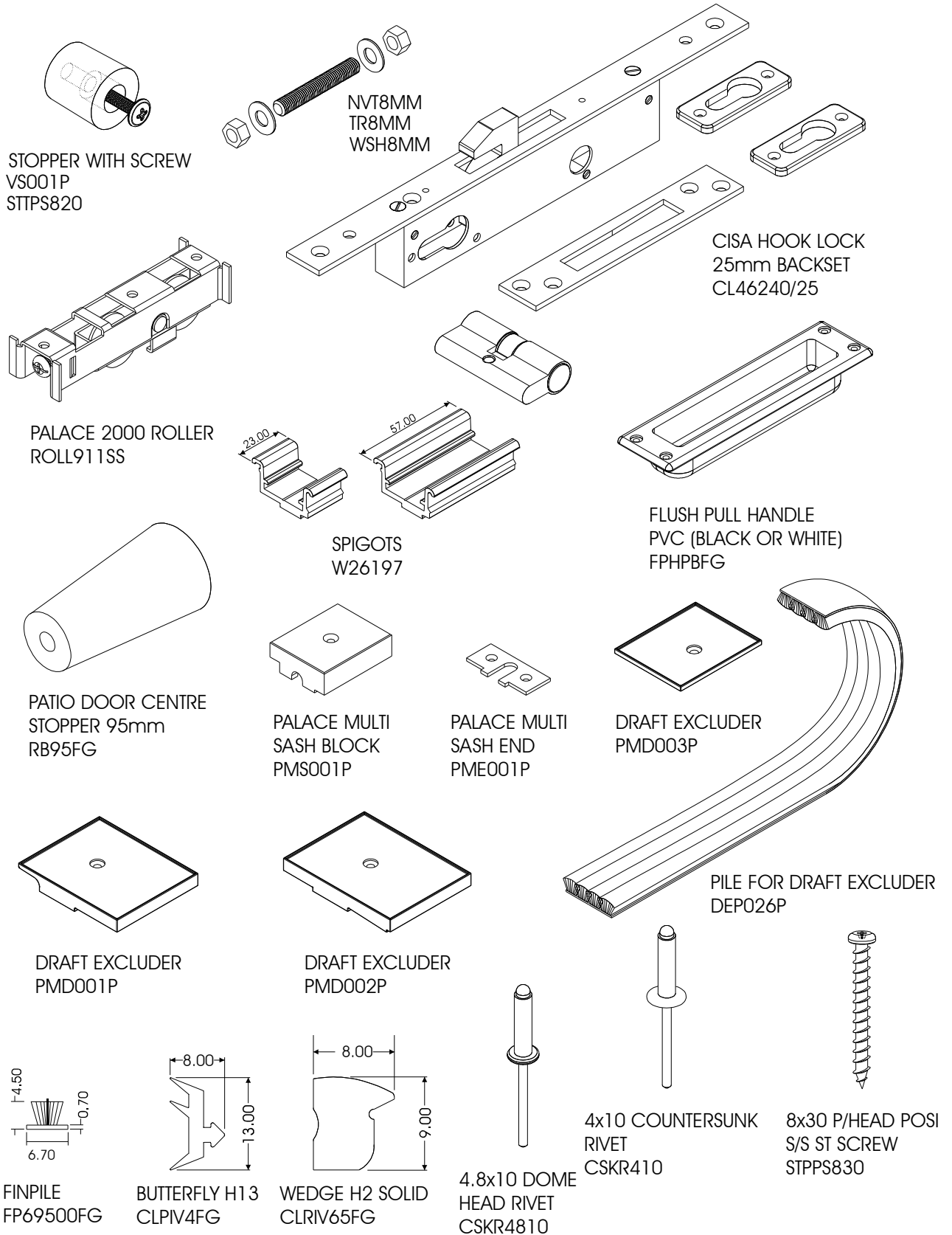


SLIDING
INTERLOCKER
W53101



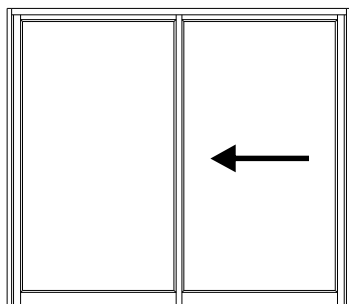
R4 SPECIAL MIDRAIL 85mm
W44089

CREALCO PALACE SLIDING DOOR SYSTEM HARDWARE IDENTIFICATION

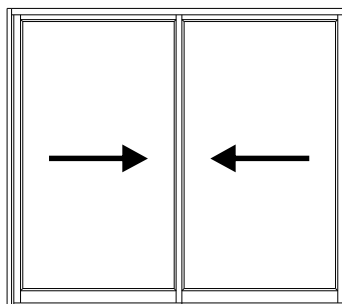


CREALCO PALACE
SLIDING DOOR SYSTEM
DOUBLE TRACK
CONFIGURATIONS

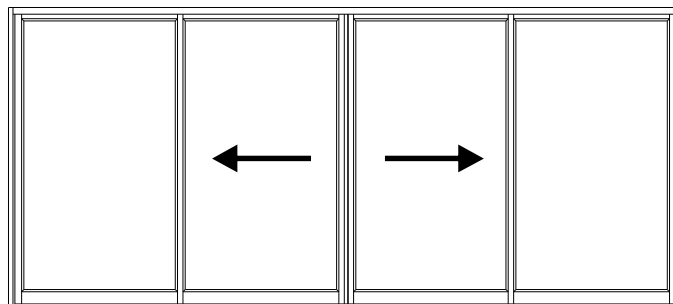
OX



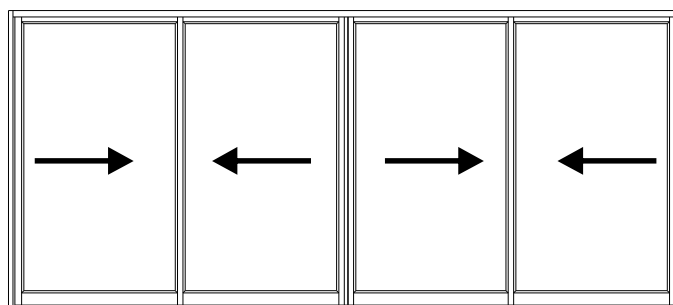
2 PANE MULTI SLIDER



OXXO

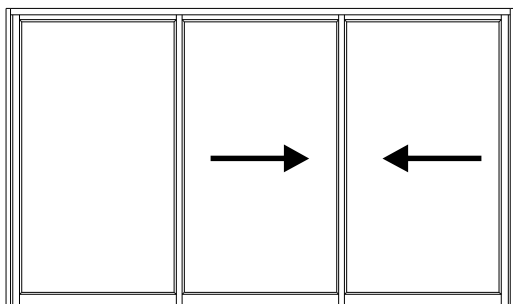


4 PANE MULTI SLIDER

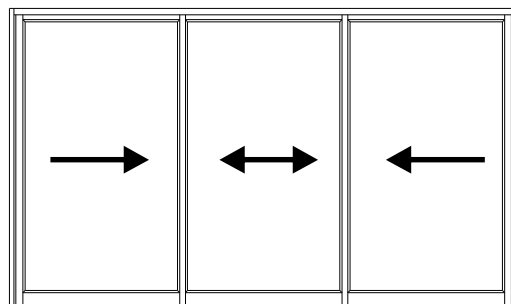


CREALCO PALACE
SLIDING DOOR SYSTEM
TRIPLE TRACK
CONFIGURATIONS

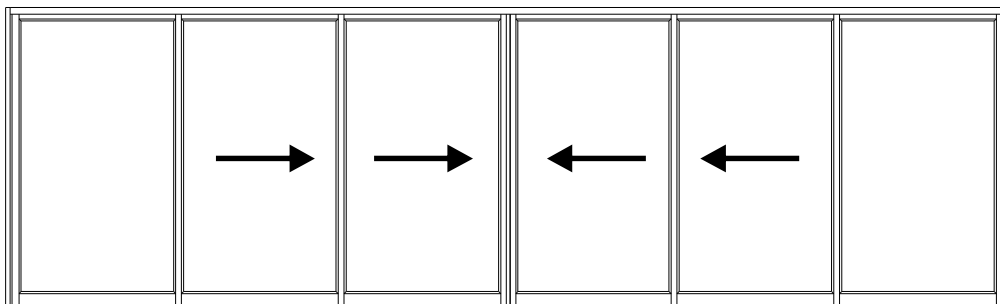
OXX



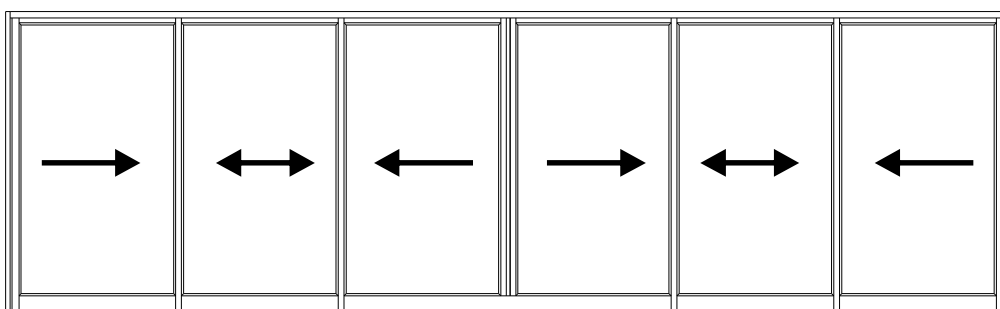
3 PANE MULTI SLIDER



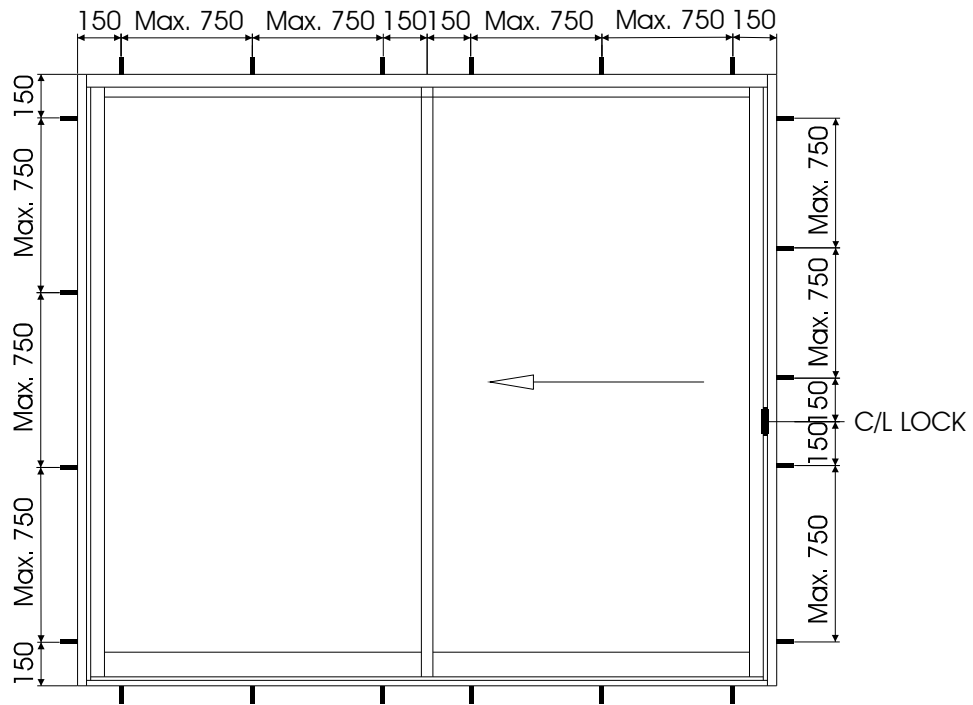
OXXXXO



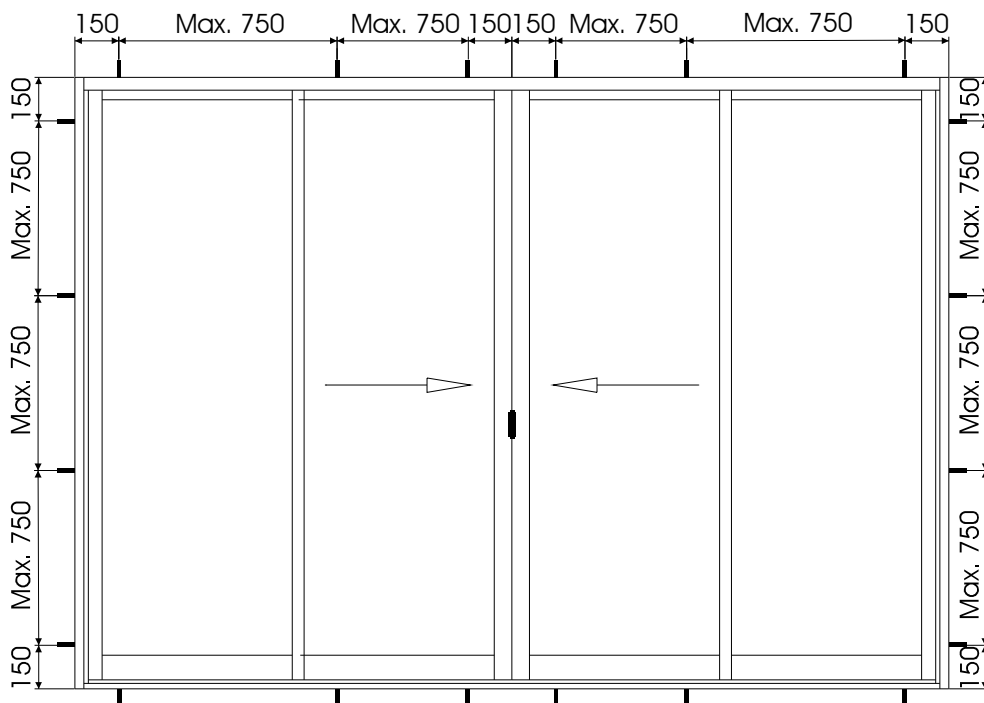
6 PANE MULTI SLIDER



CREALCO PALACE
SLIDING DOOR SYSTEM
FIXING DETAILS

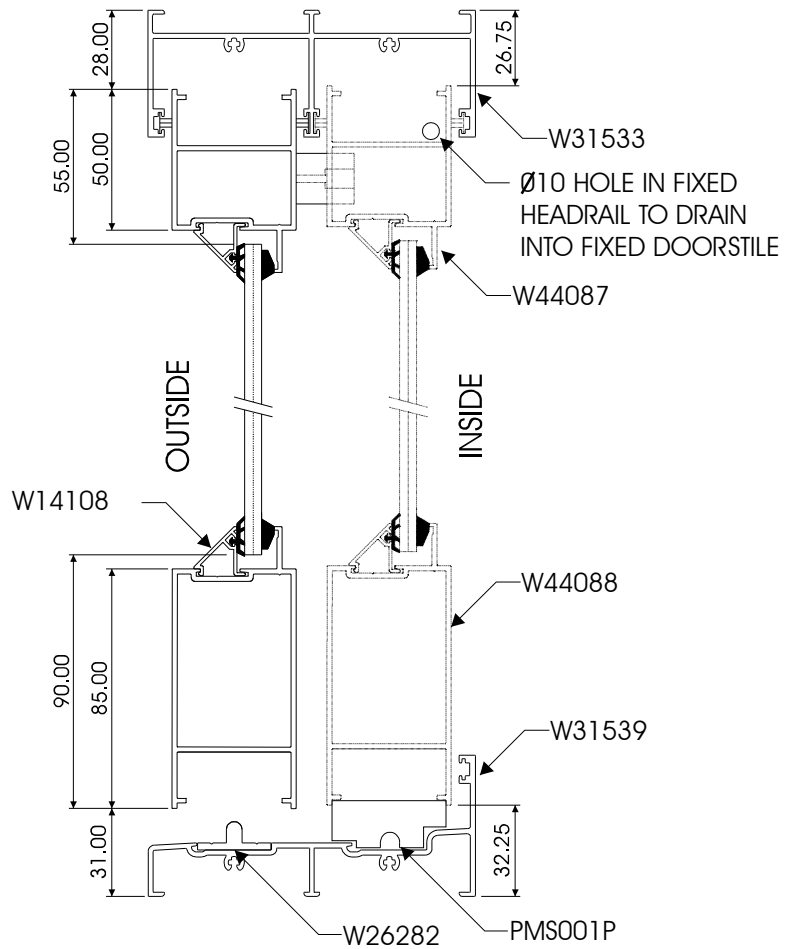
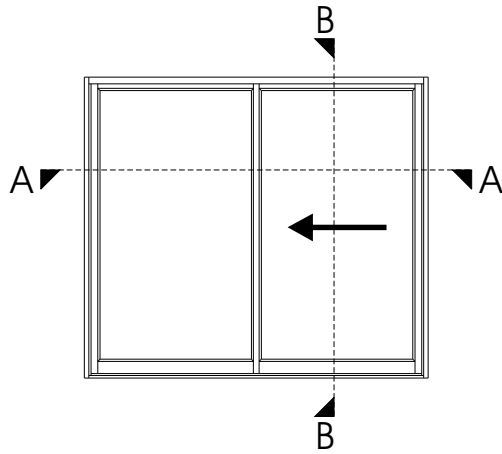


TYPICAL OX SLIDING DOOR &
HORIZONTAL SLIDING WINDOW



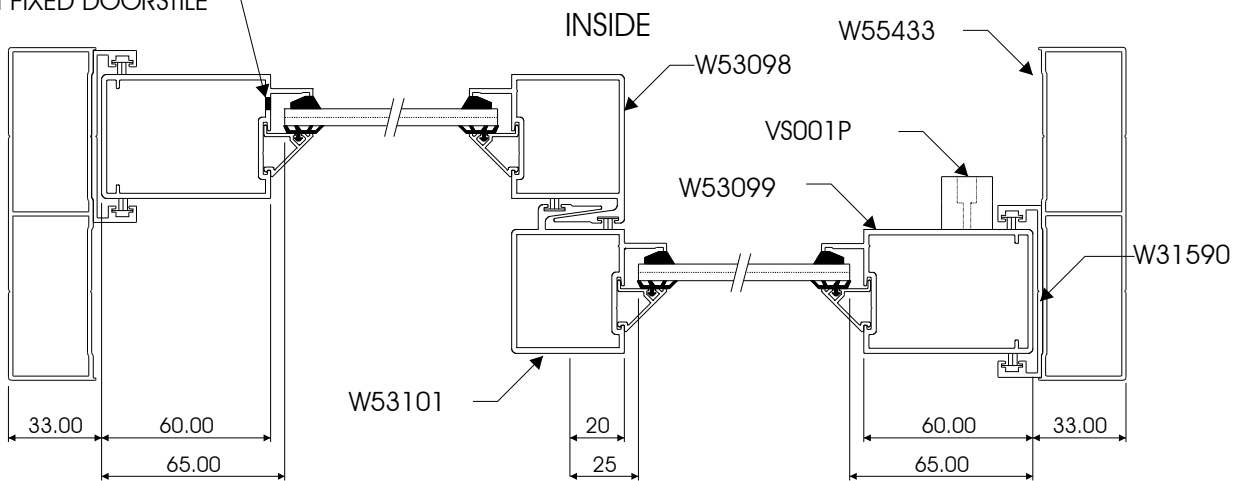
TYPICAL OXXO SLIDING DOOR &
HORIZONTAL SLIDING WINDOW

CREALCO PALACE
 SLIDING DOOR SYSTEM
 CROSS SECTIONAL DETAIL
 OX CONFIGURATION



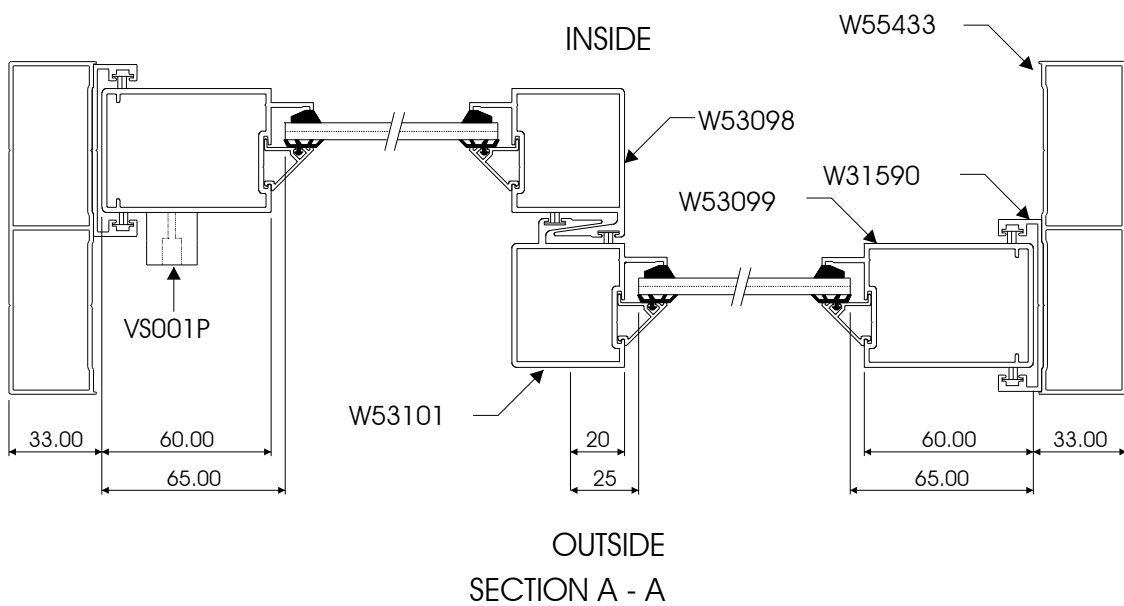
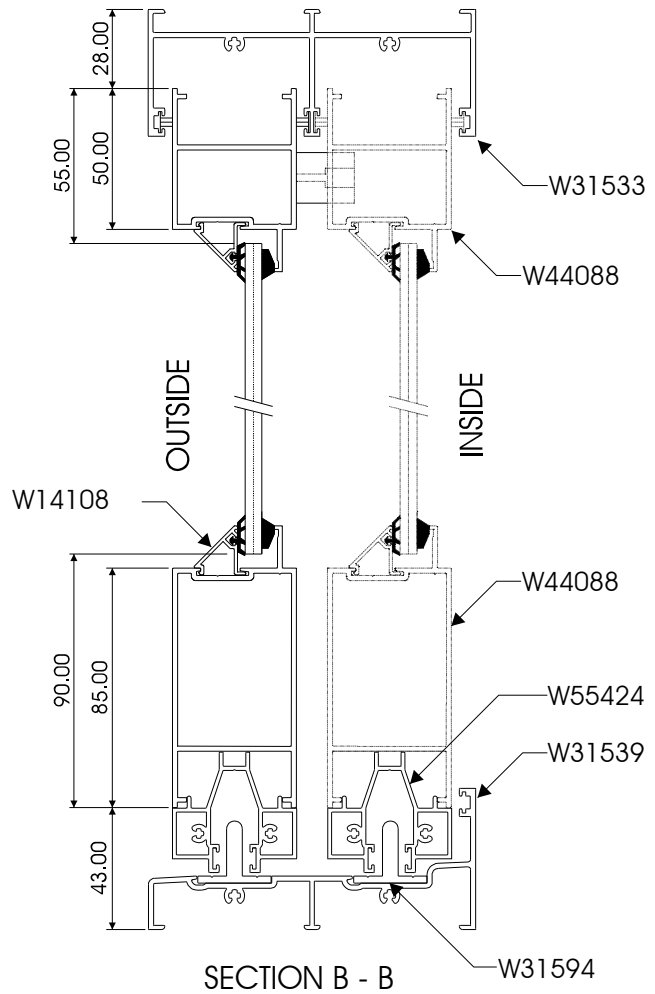
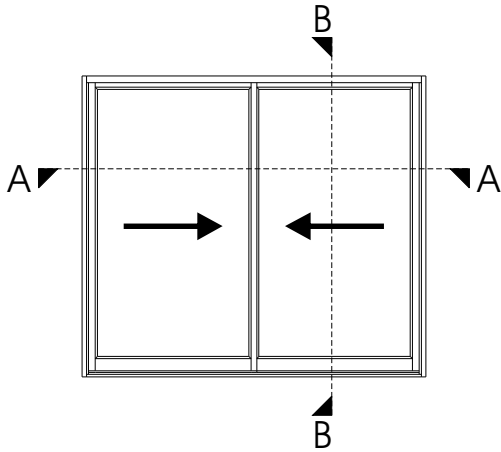
SECTION B - B

Ø10 HOLE IN FIXED
 HEADRAIL TO DRAIN
 IN FIXED DOORSTILE

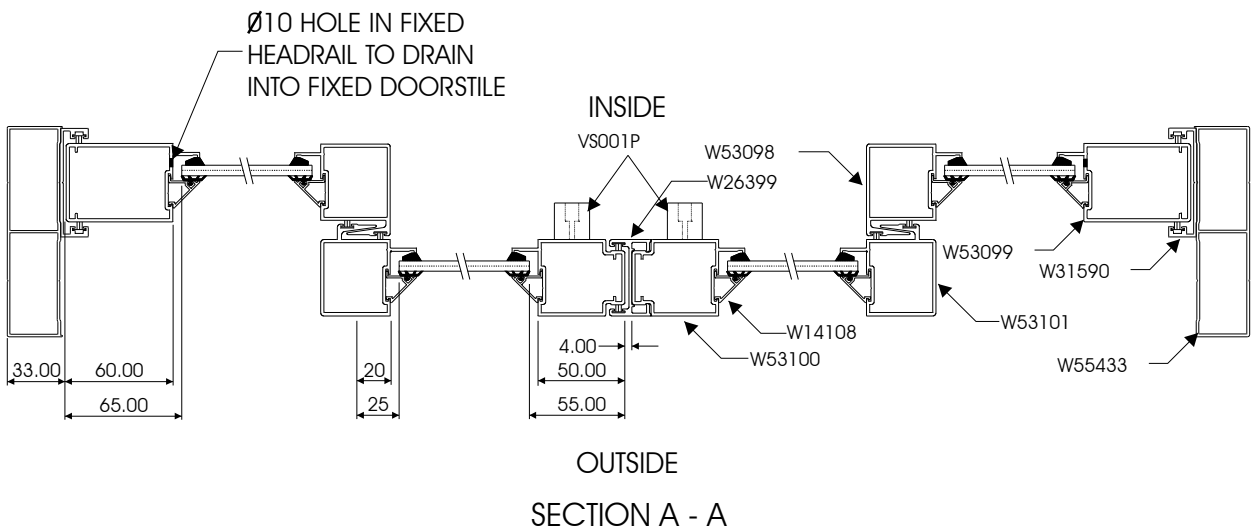
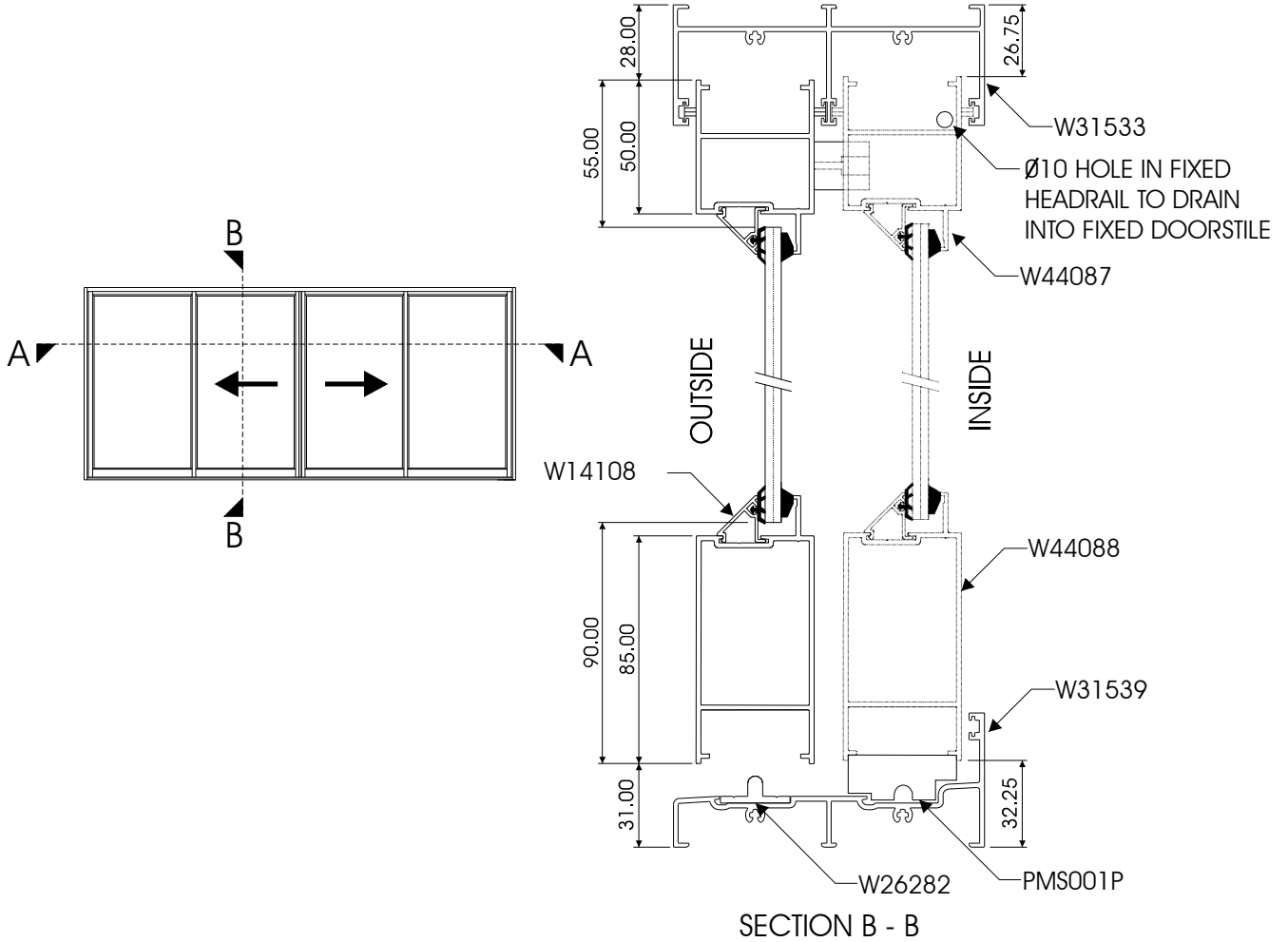


OUTSIDE
 SECTION A - A

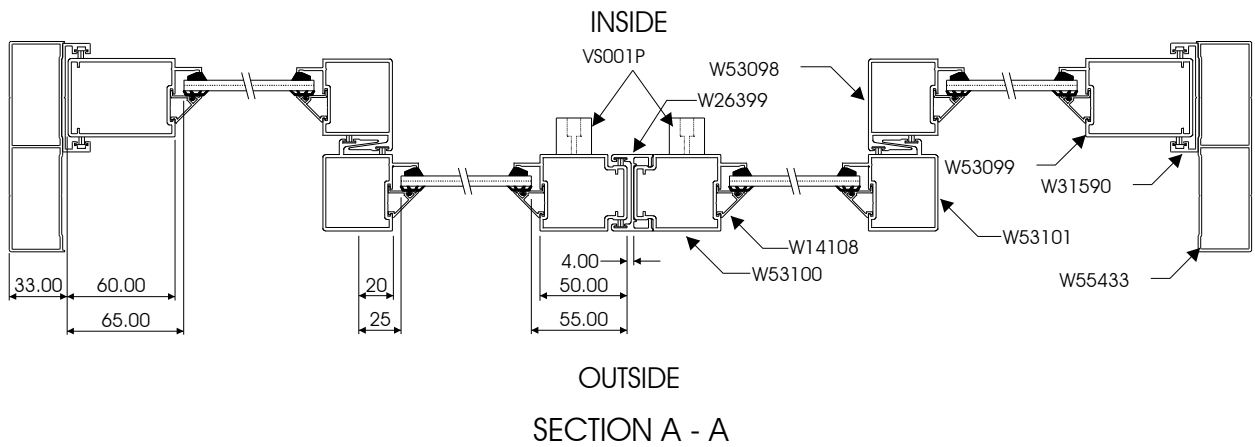
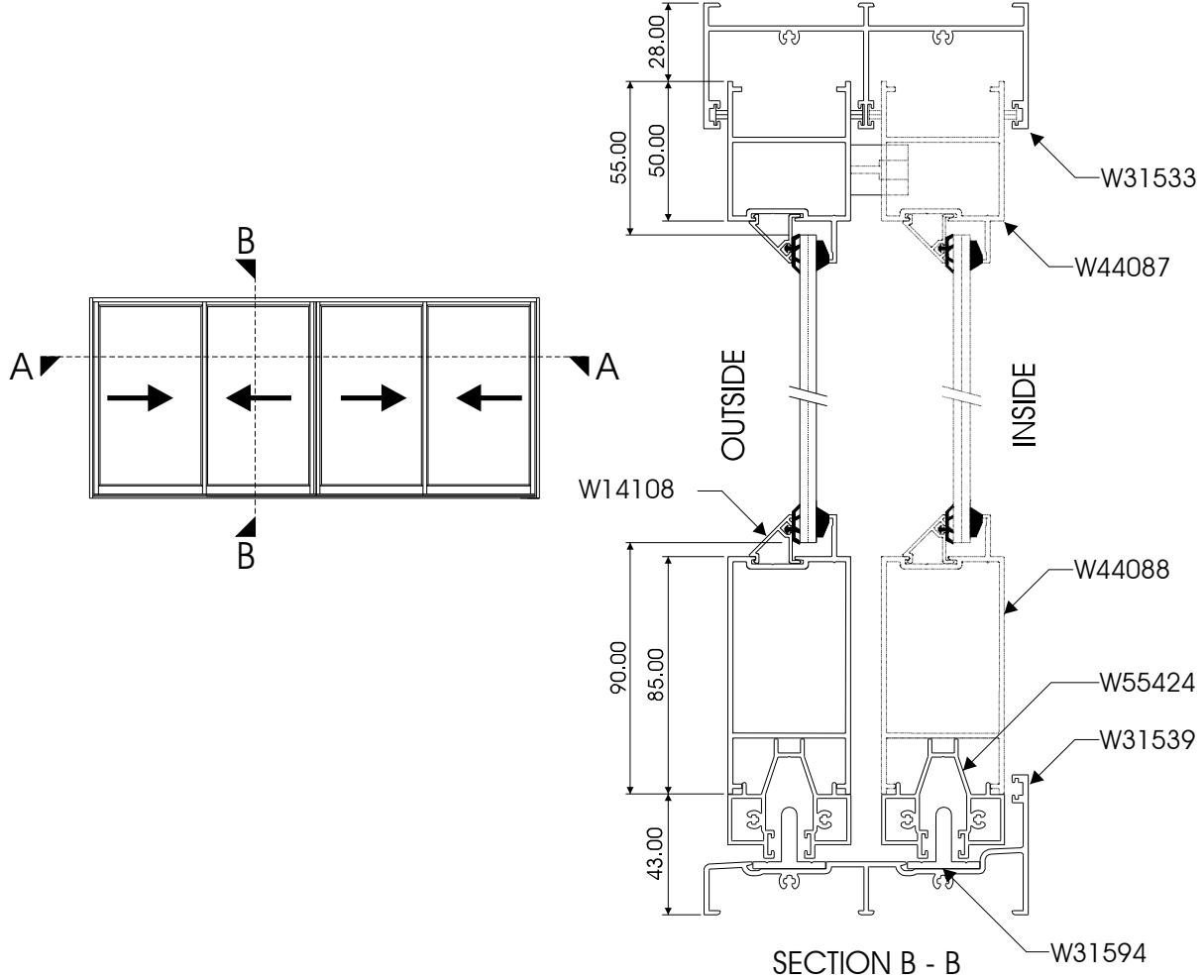
CREALCO PALACE
 SLIDING DOOR SYSTEM
 CROSS SECTIONAL DETAIL
 2 PANEL MULTI SLIDER
 CONFIGURATION



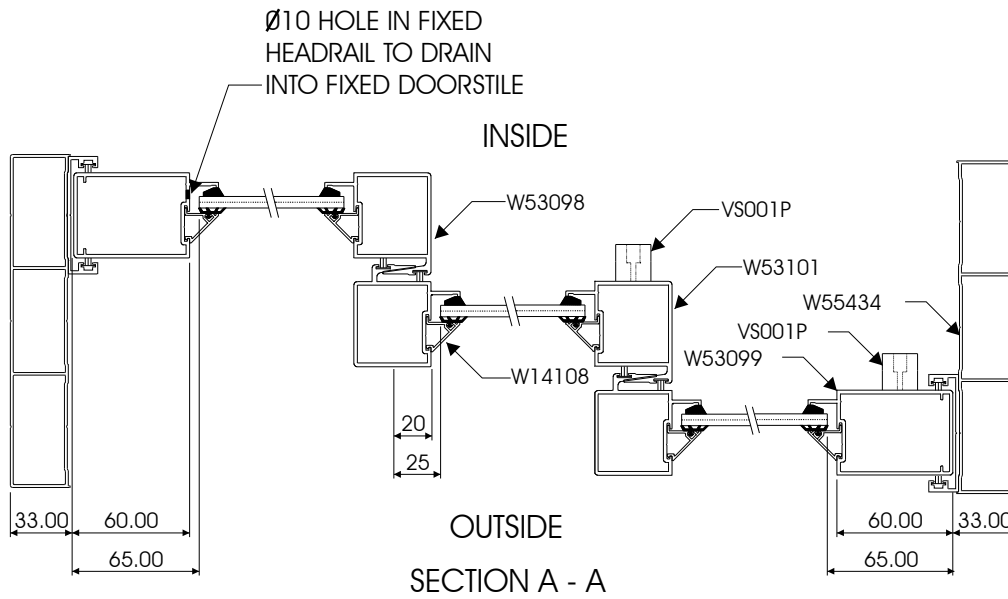
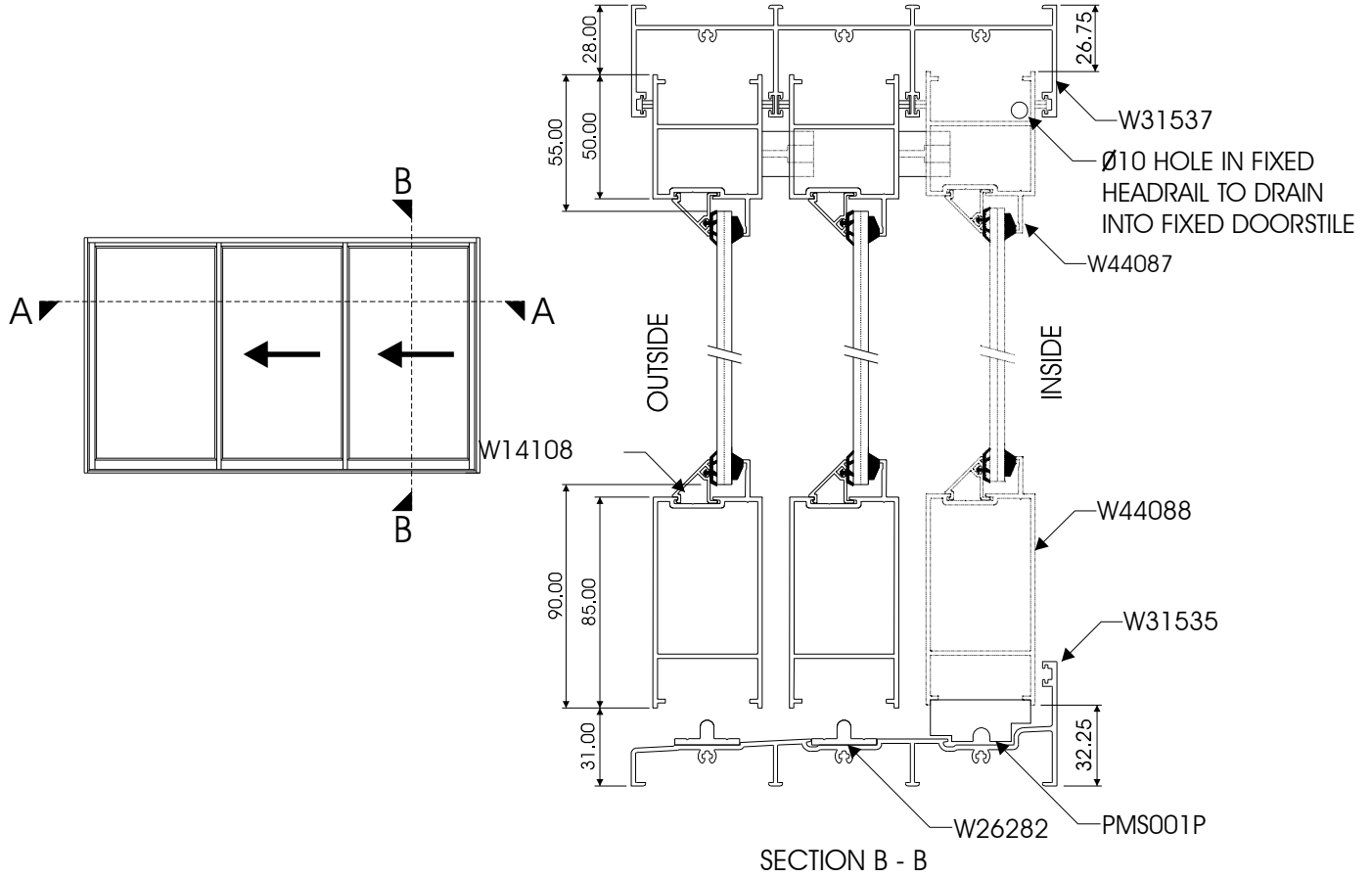
CREALCO PALACE
 SLIDING DOOR SYSTEM
 CROSS SECTIONAL DETAIL
 OXXO CONFIGURATION



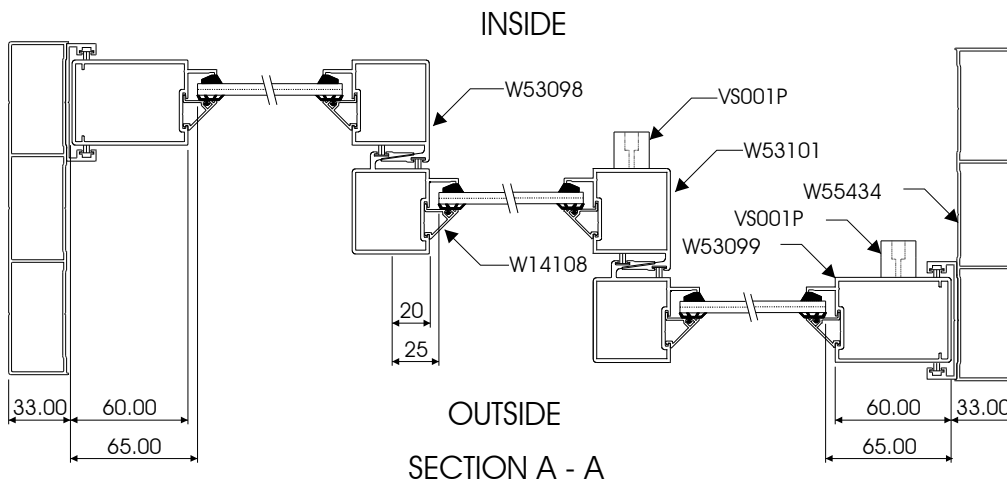
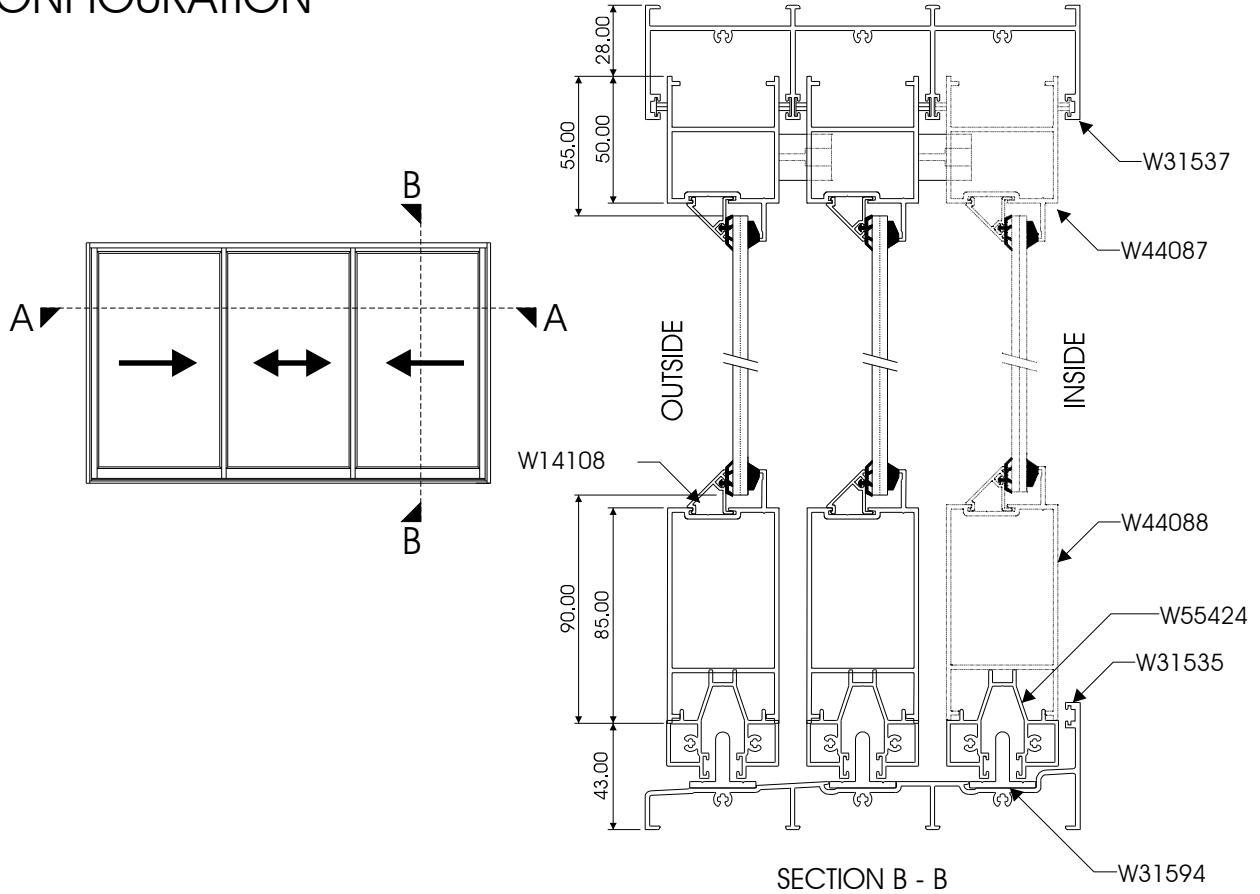
CREALCO PALACE
 SLIDING DOOR SYSTEM
 CROSS SECTIONAL DETAIL
 4 PANEL MULTI SLIDER
 CONFIGURATION



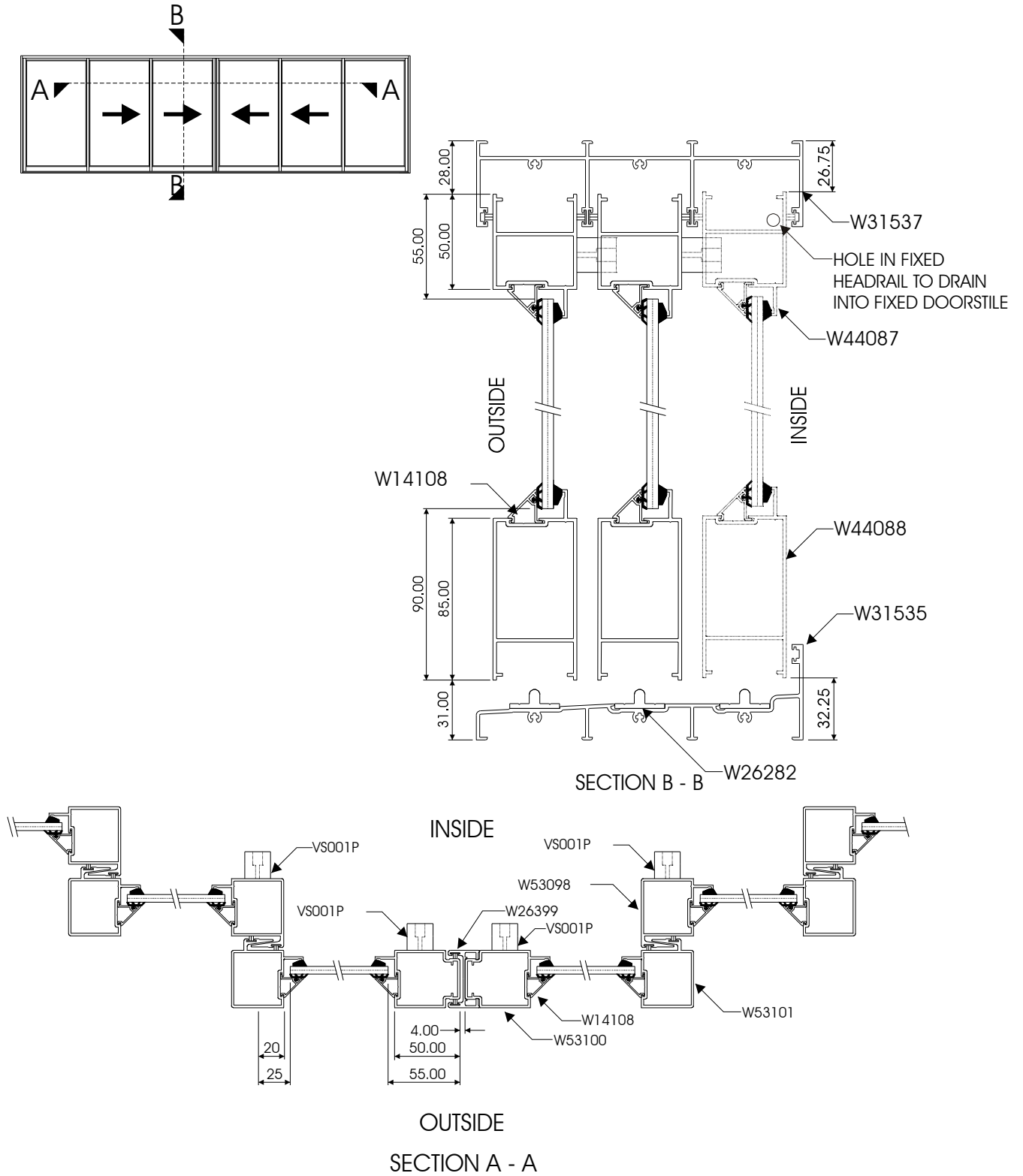
CREALCO PALACE
 SLIDING DOOR SYSTEM
 CROSS SECTIONAL DETAIL
 OXX CONFIGURATION



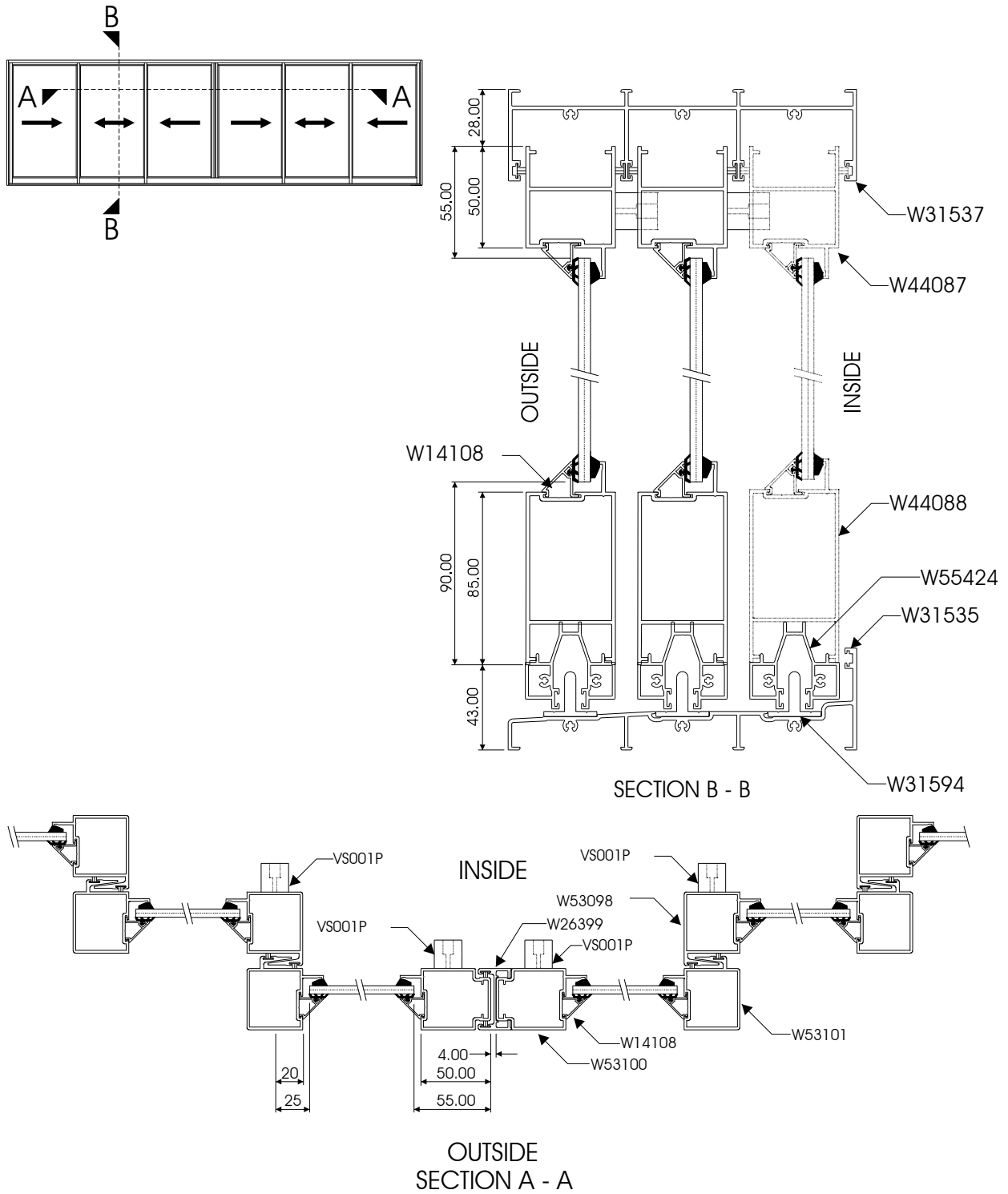
CREALCO PALACE
 SLIDING DOOR SYSTEM
 CROSS SECTIONAL DETAIL
 3 PANEL MULTI SLIDER
 CONFIGURATION



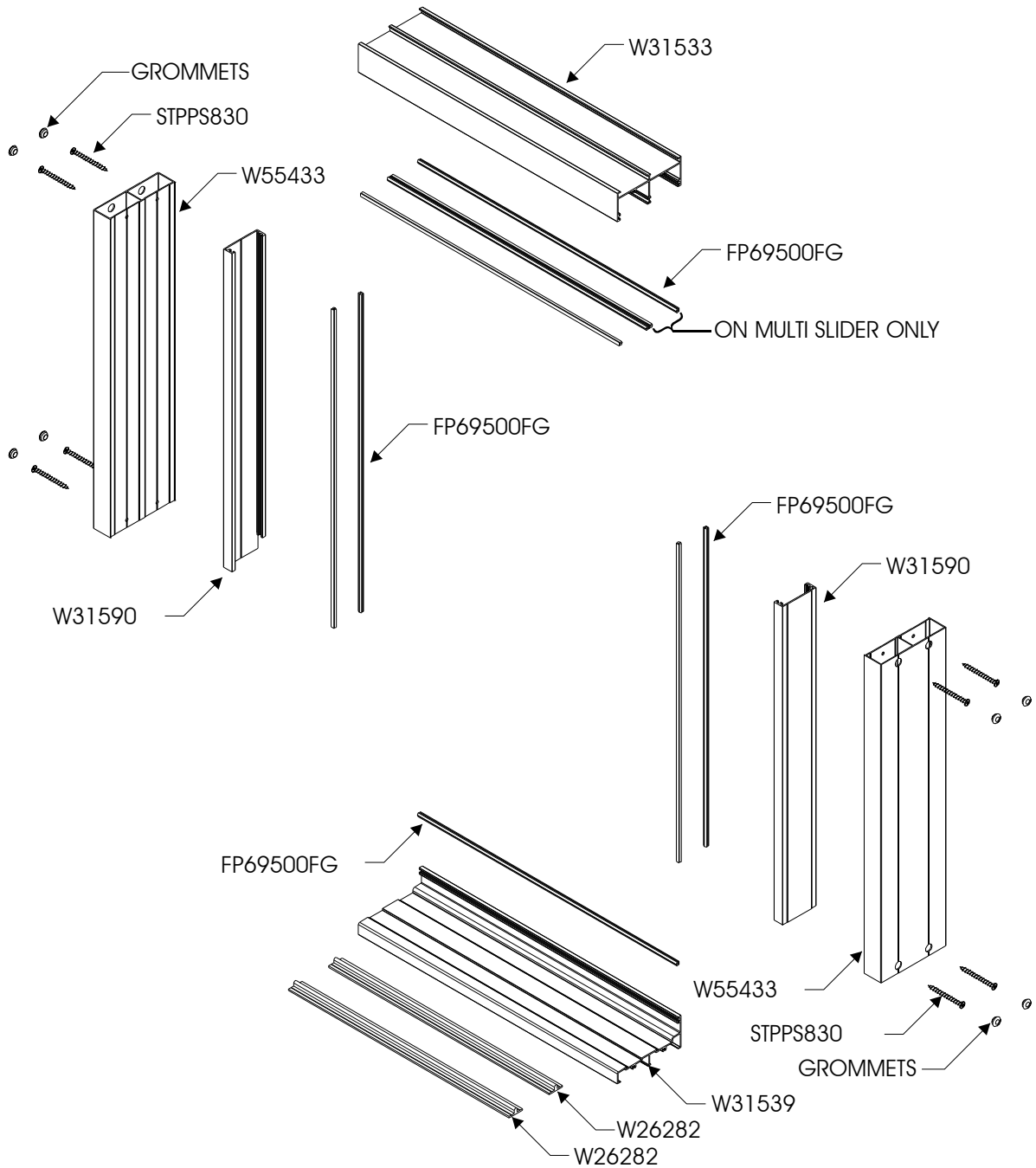
CREALCO PALACE
 SLIDING DOOR SYSTEM
 CROSS SECTIONAL DETAIL
 OXXXXO CONFIGURATION



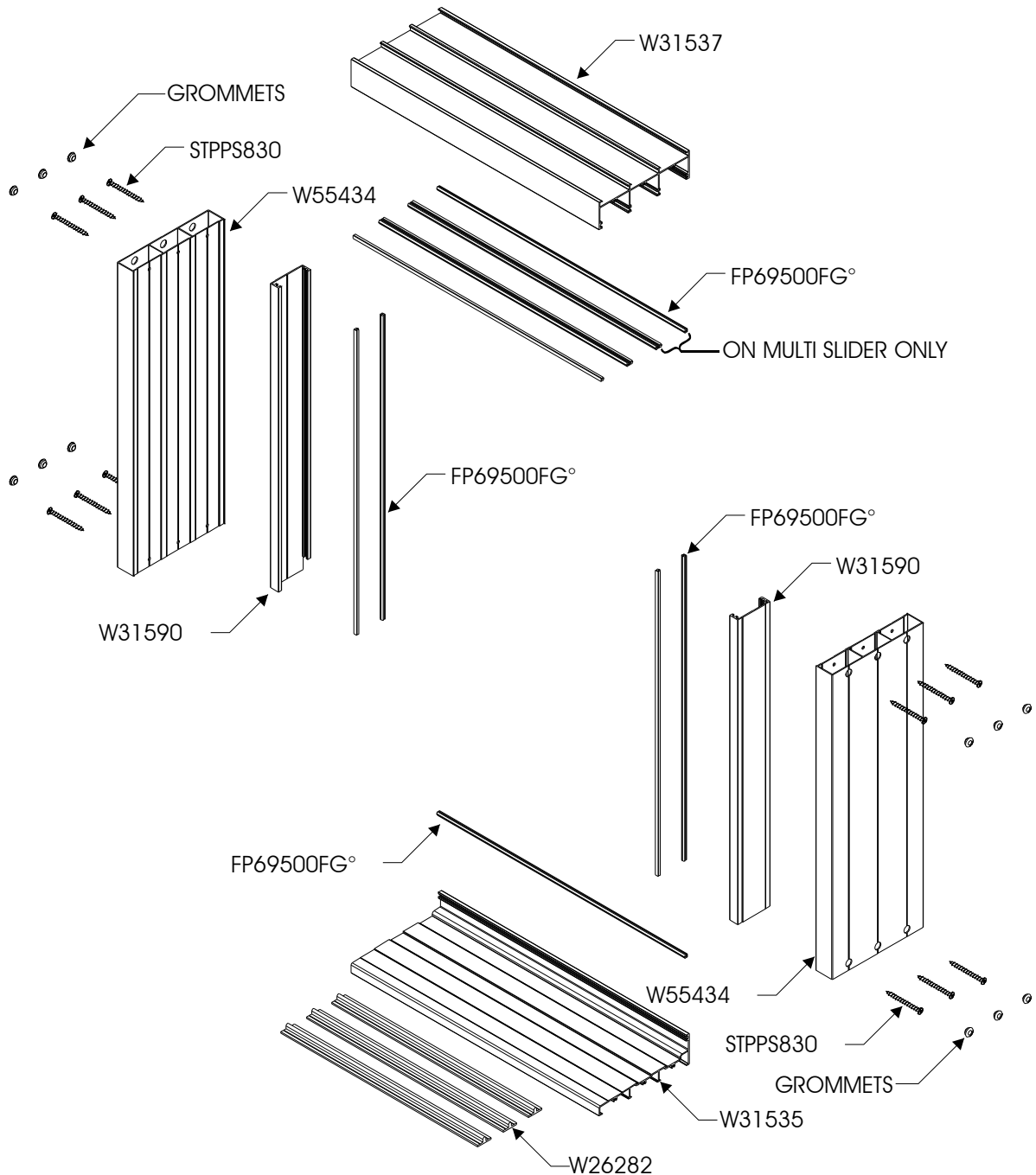
CREALCO PALACE
 SLIDING DOOR SYSTEM
 CROSS SECTIONAL DETAIL
 6 PANEL MULTI SLIDER
 CONFIGURATION



CREALCO PALACE
 SLIDING DOOR SYSTEM
 OUTER FRAME COMPONENT
 ASSEMBLY DETAIL
 DOUBLE TRACK

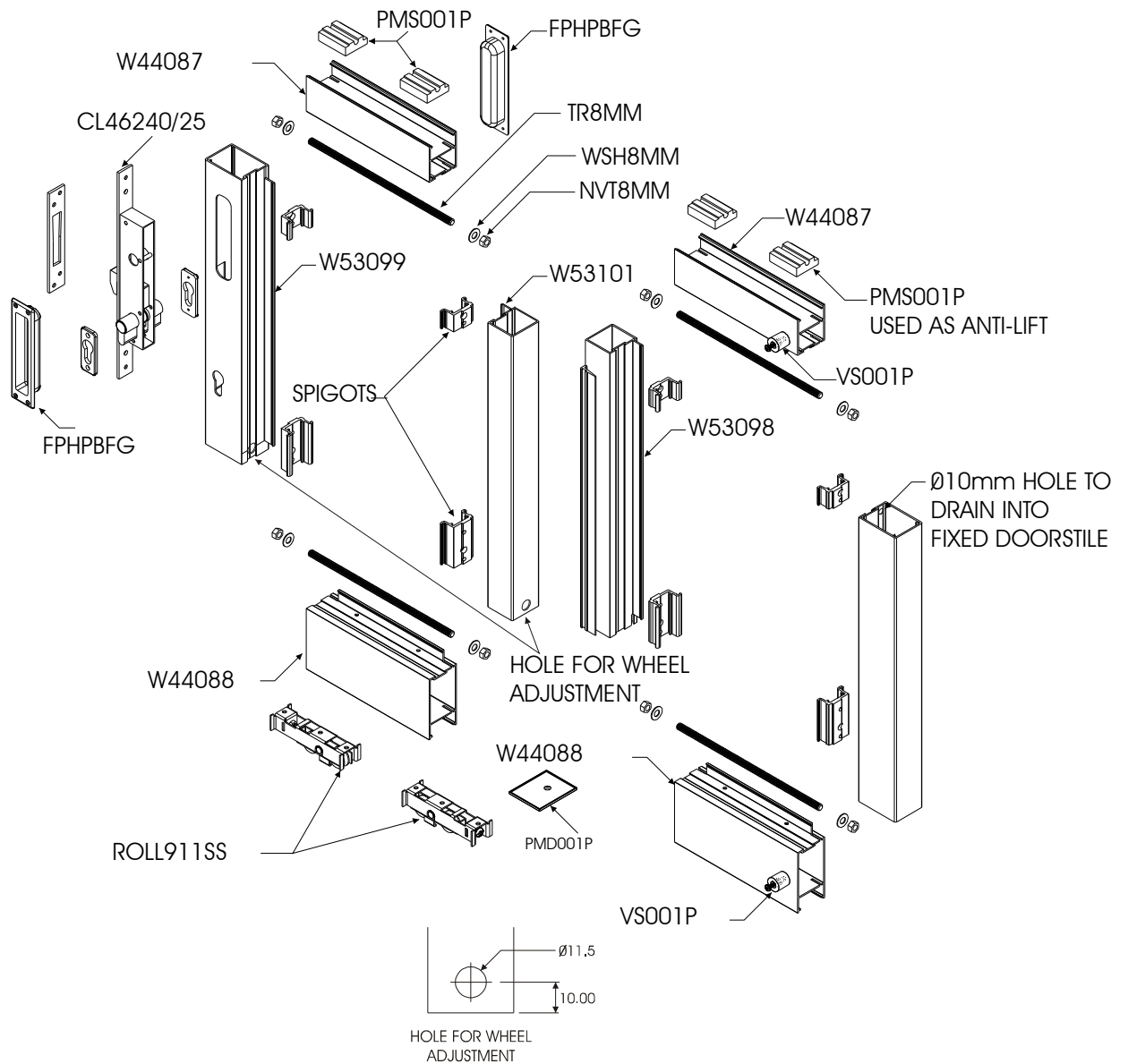


CREALCO PALACE
 SLIDING DOOR SYSTEM
 OUTER FRAME COMPONENT
 ASSEMBLY DETAIL
 TRIPLE TRACK

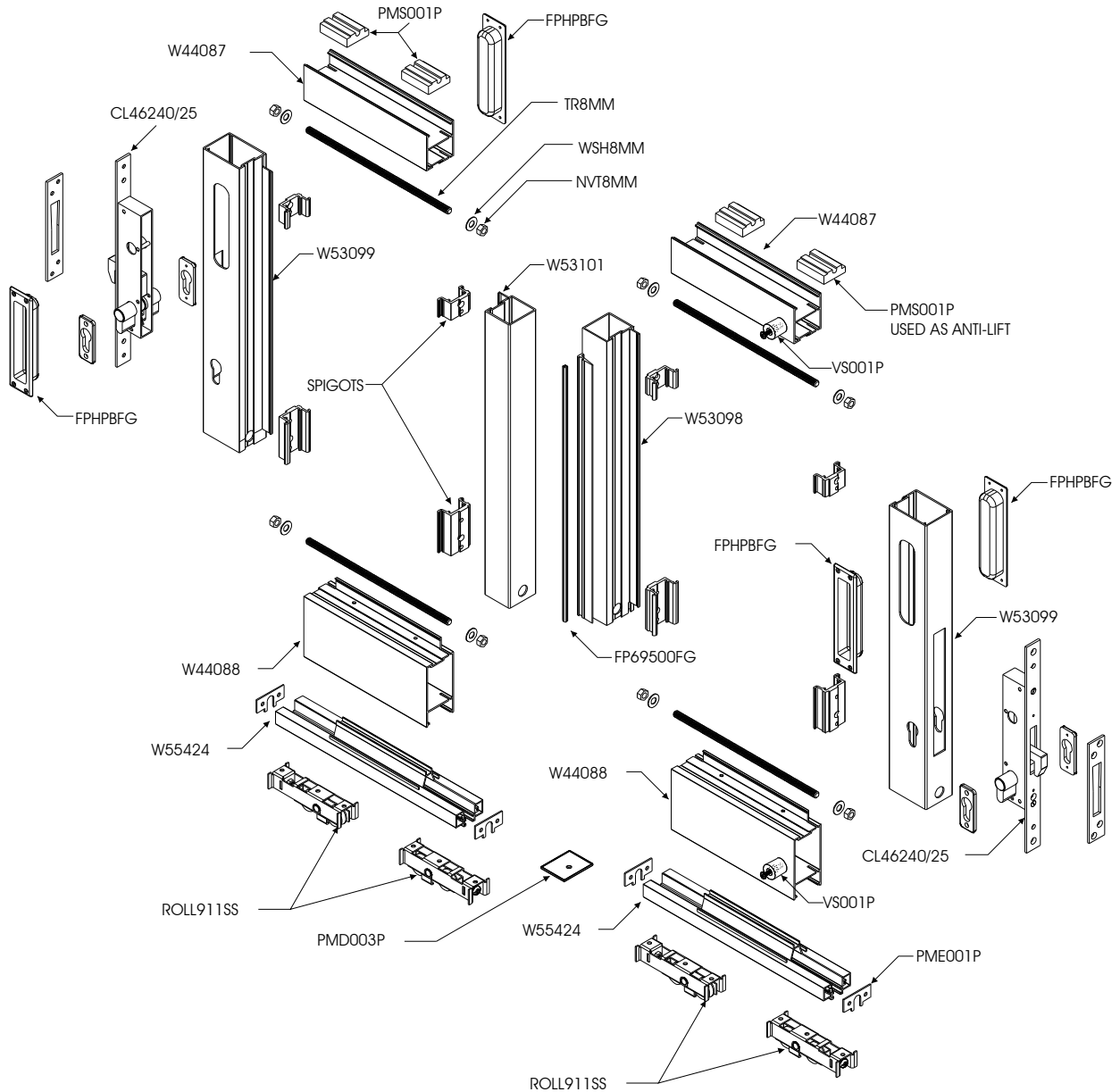


○ FINPILE ONLY ON MULTI SLIDER XX, XXX OR XXXXXX
 NO FINPILE ON OX, OXXO, OXX AND OXXXXO

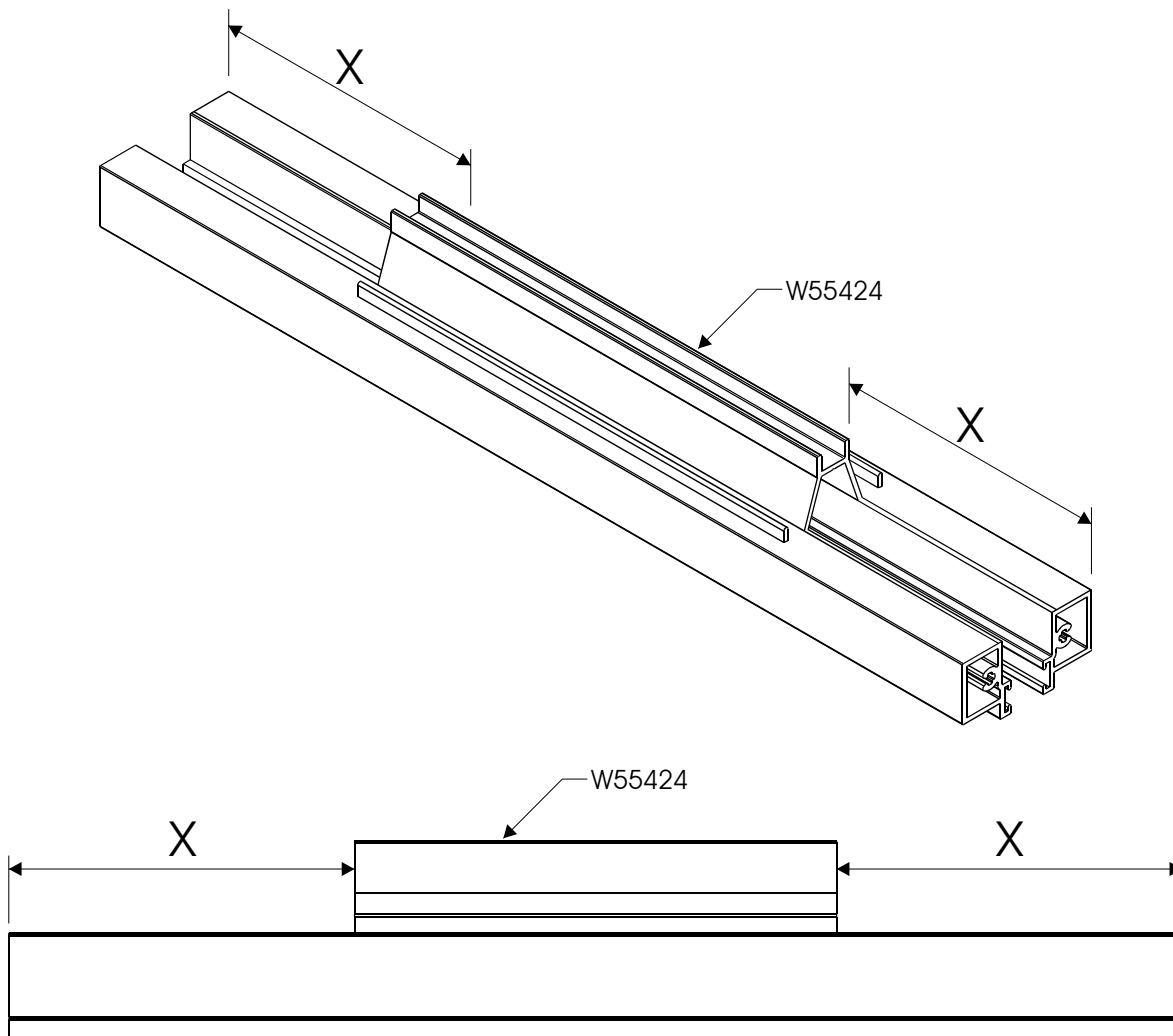
CREALCO PALACE
 SLIDING DOOR SYSTEM
 INSERT COMPONENT
 ASSEMBLY DETAIL
 SLIDING/FIXED



CREALCO PALACE
 SLIDING DOOR SYSTEM
 INSERT COMPONENT
 ASSEMBLY DETAIL
 SLIDING/SLIDING

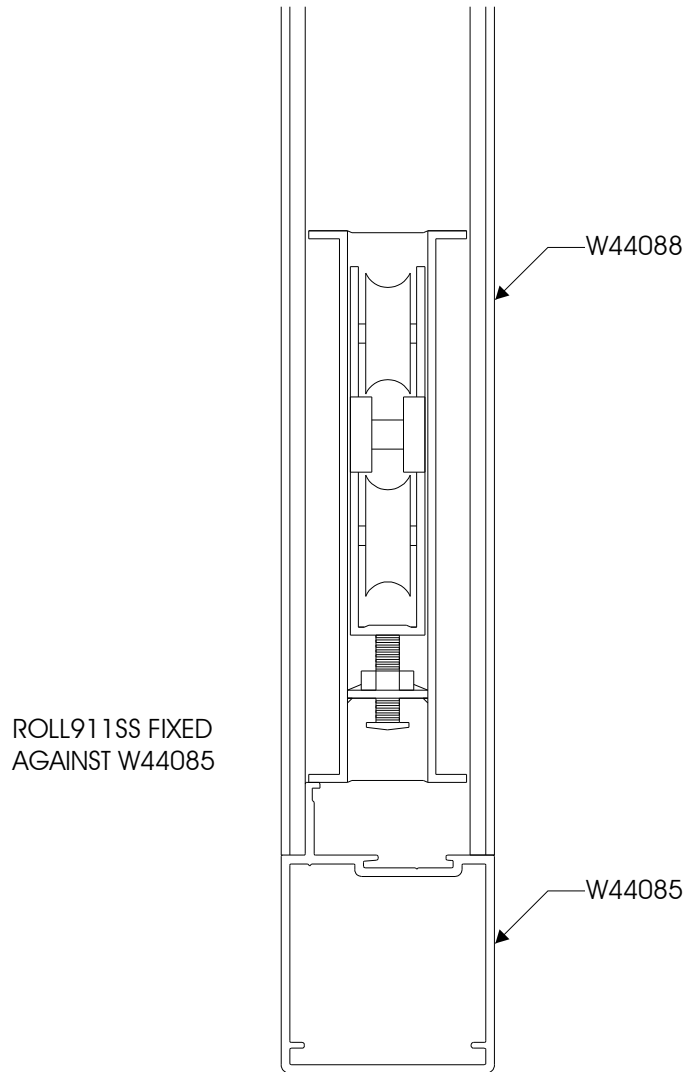


CREALCO PALACE
 SLIDING DOOR SYSTEM
 CUTTING DETAIL
 W55424

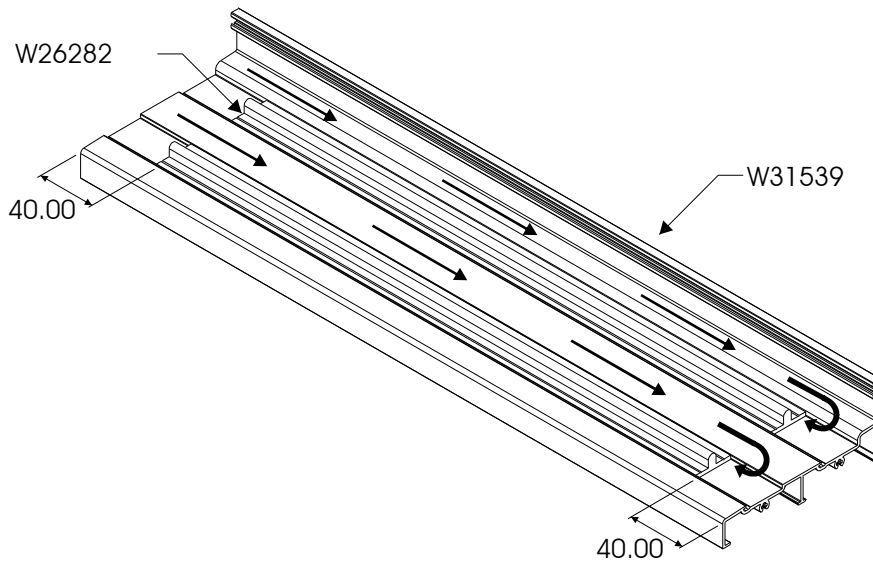


	X
45 STILE / INTERLOCK	180mm
60 STILE / INTERLOCK	195mm
90 STILE / INTERLOCK	225mm

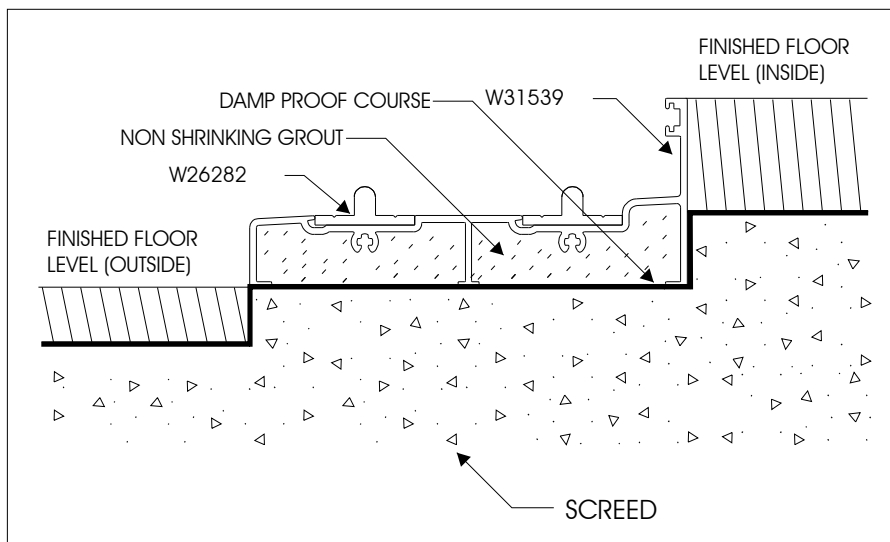
CREALCO PALACE
SLIDING DOOR SYSTEM
DETAIL SHOWING ROLL911SS
AGAINST DOOR JAMB LIP



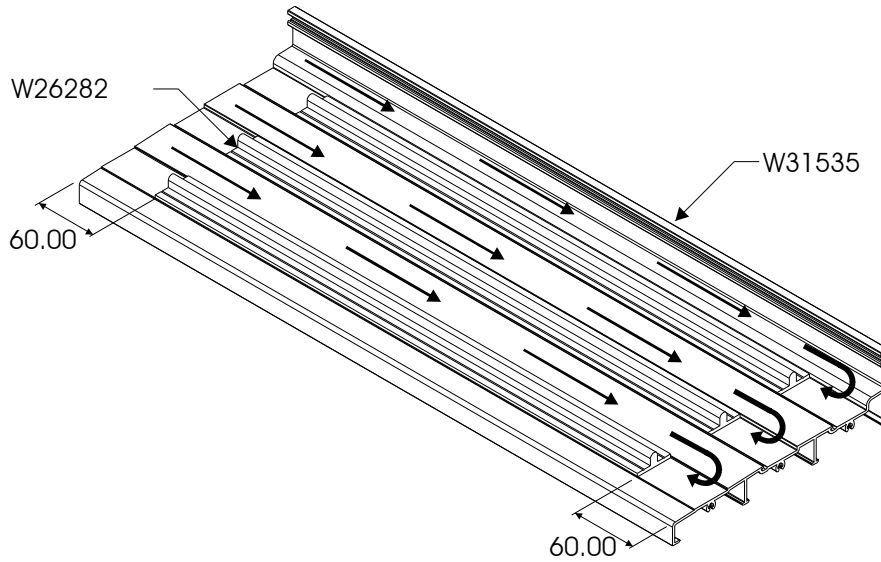
CREALCO PALACE
SLIDING DOOR SYSTEM
DOUBLE SILL
FLOOR LEVEL DETAIL



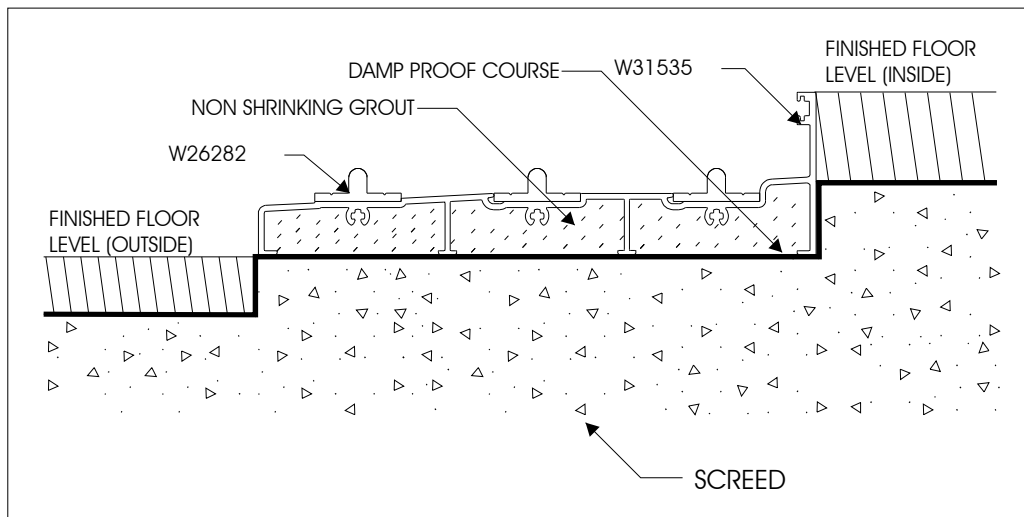
WATER CHANNELS
AROUND TRACK



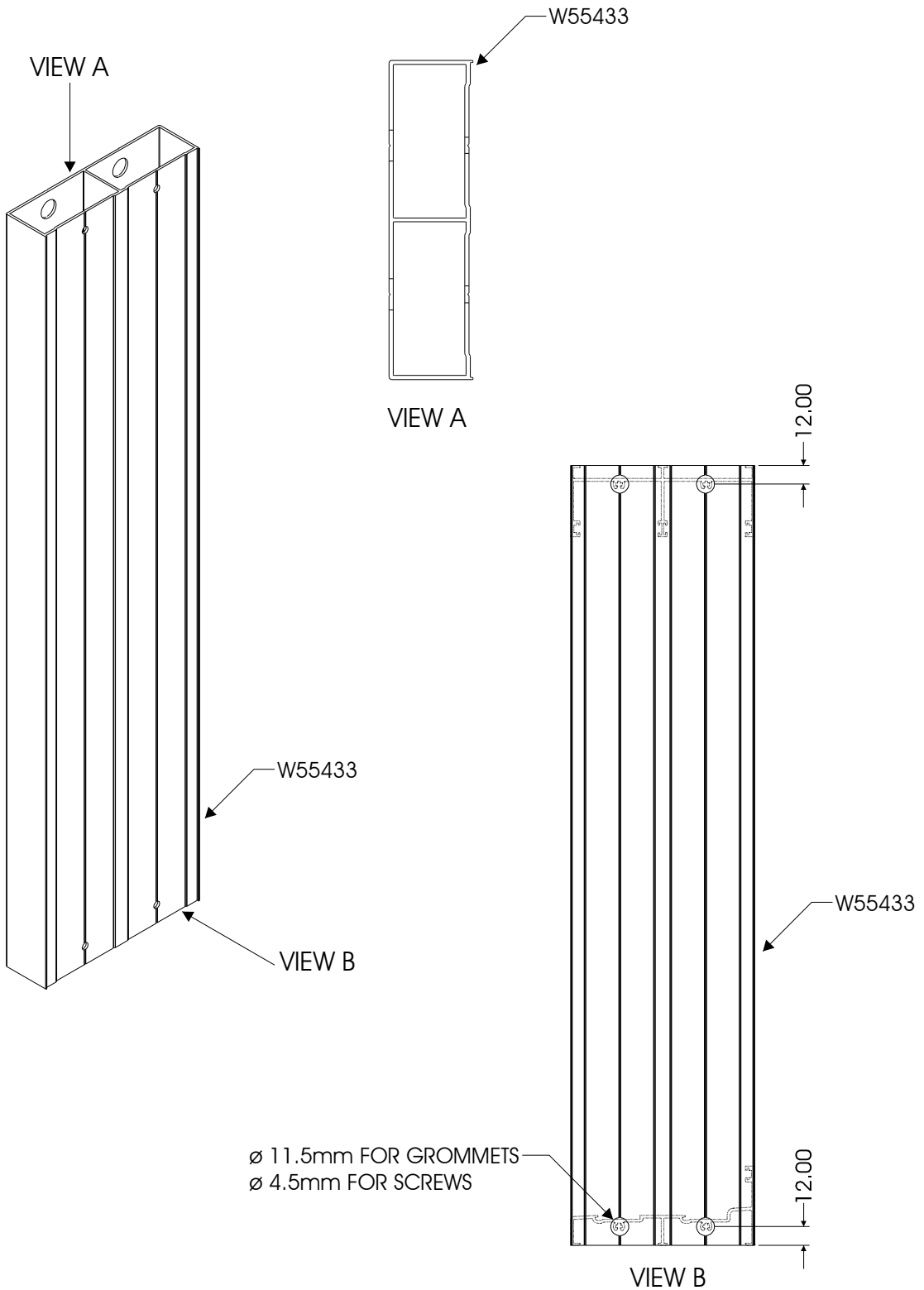
CREALCO PALACE
SLIDING DOOR SYSTEM
TRIPLE SILL
FLOOR LEVEL DETAIL



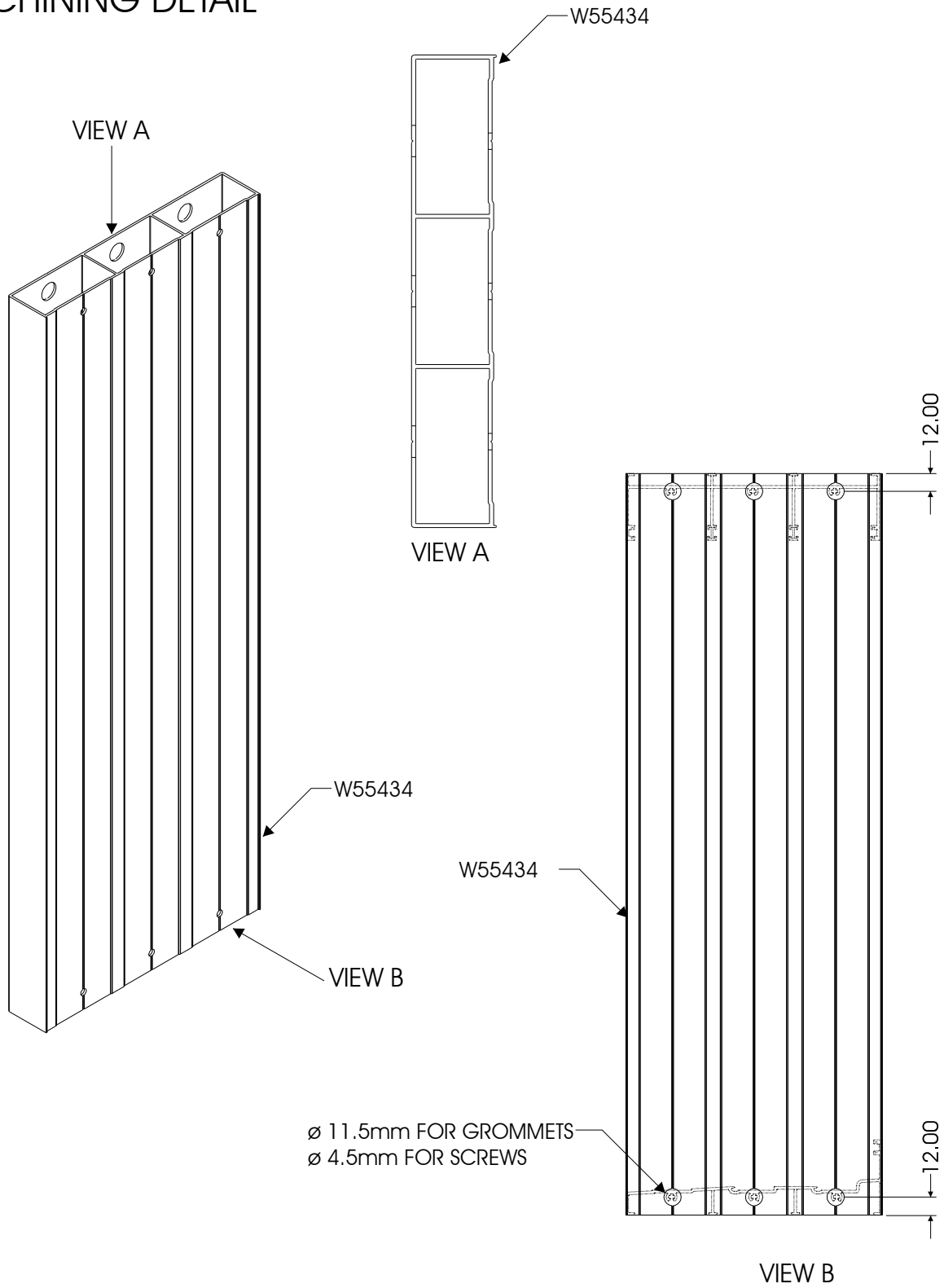
WATER CHANNELS
AROUND TRACK



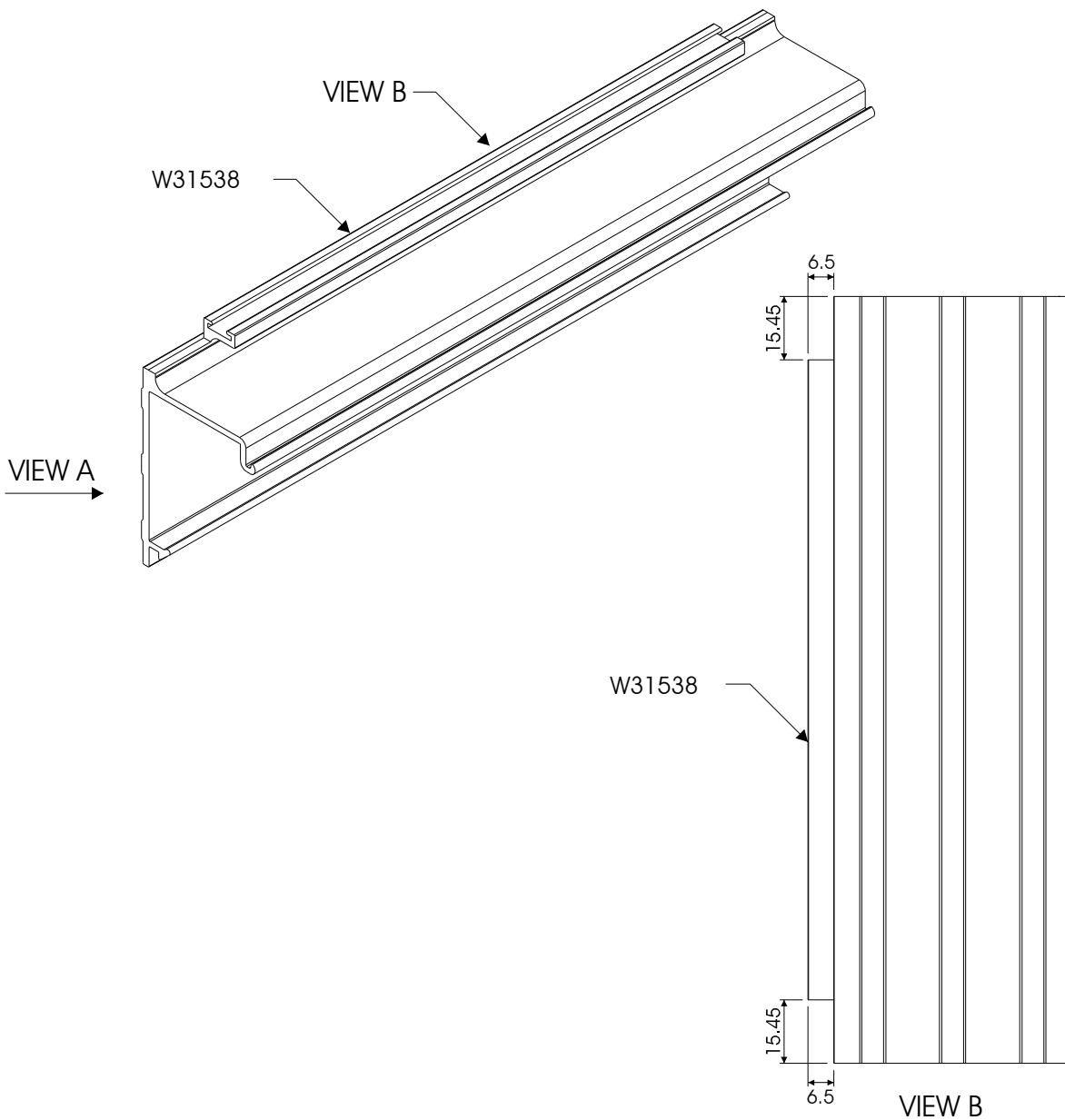
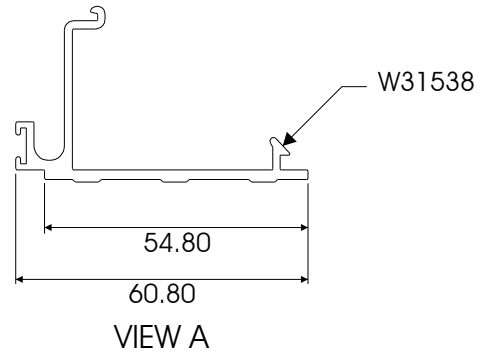
CREALCO PALACE
 SLIDING DOOR SYSTEM
 DOUBLE JAMB
 MACHINING DETAIL



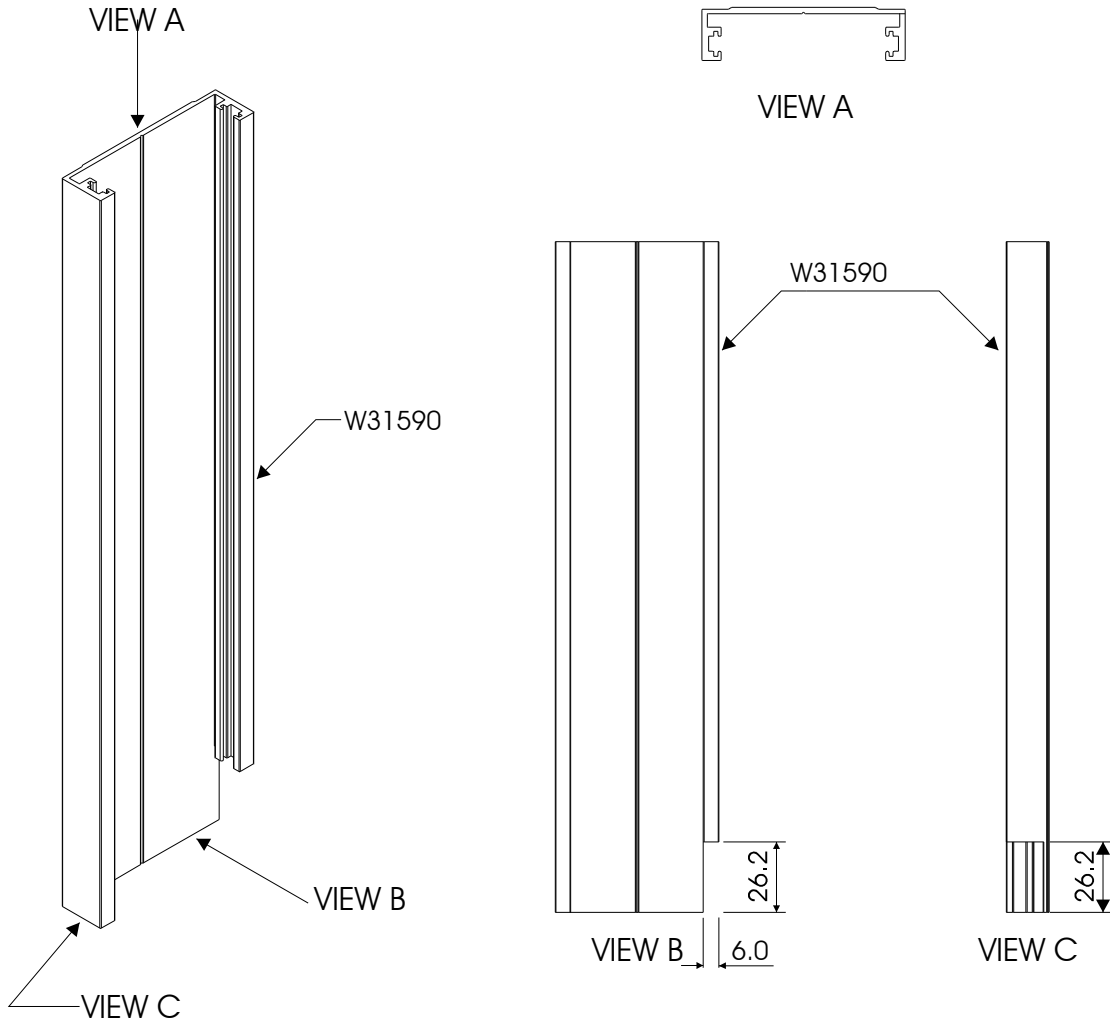
CREALCO PALACE
 SLIDING DOOR SYSTEM
 TRIPLE JAMB
 MACHINING DETAIL



CREALCO PALACE
 SLIDING DOOR SYSTEM
 SILL COVER
 MACHINING DETAIL

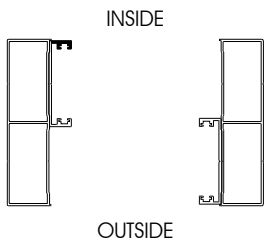


CREALCO PALACE
SLIDING DOOR SYSTEM
TRIPLE JAMB ADAPTOR
MACHINING DETAIL

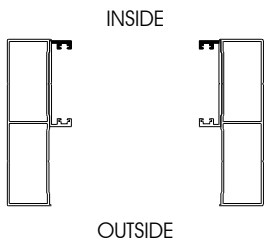


TO BE CUT OUT ON INSIDE ADAPTOR ONLY

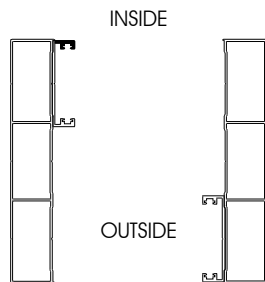
OX & 2 PANEL MULTI
SLIDER = 1 SIDE ONLY



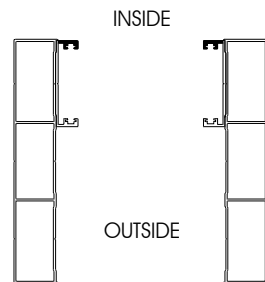
OXXO & 4 PANEL MULTI
SLIDER = BOTH SIDES



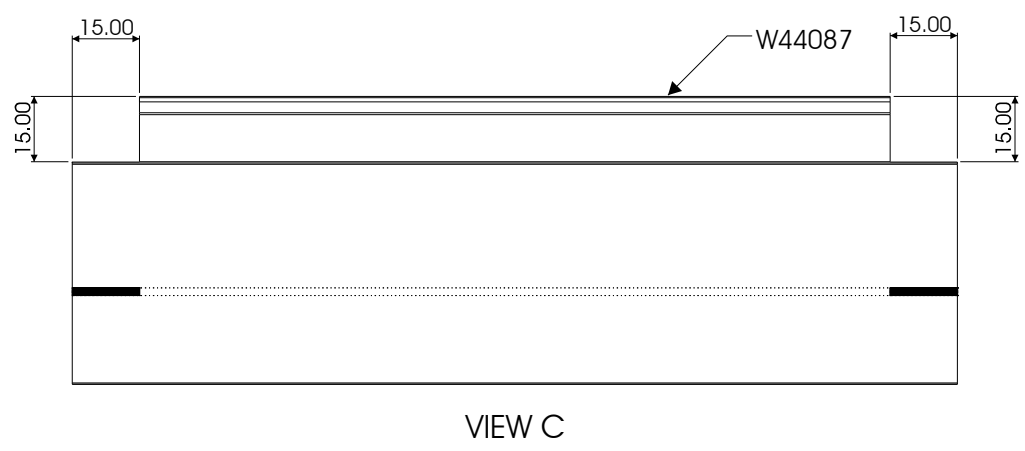
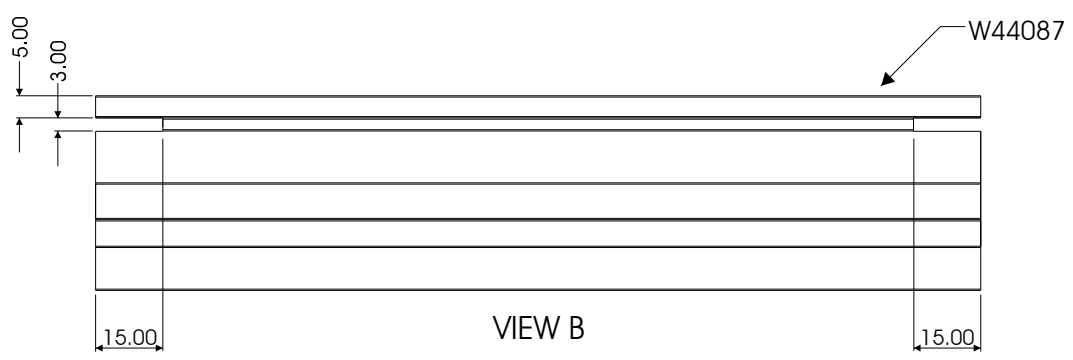
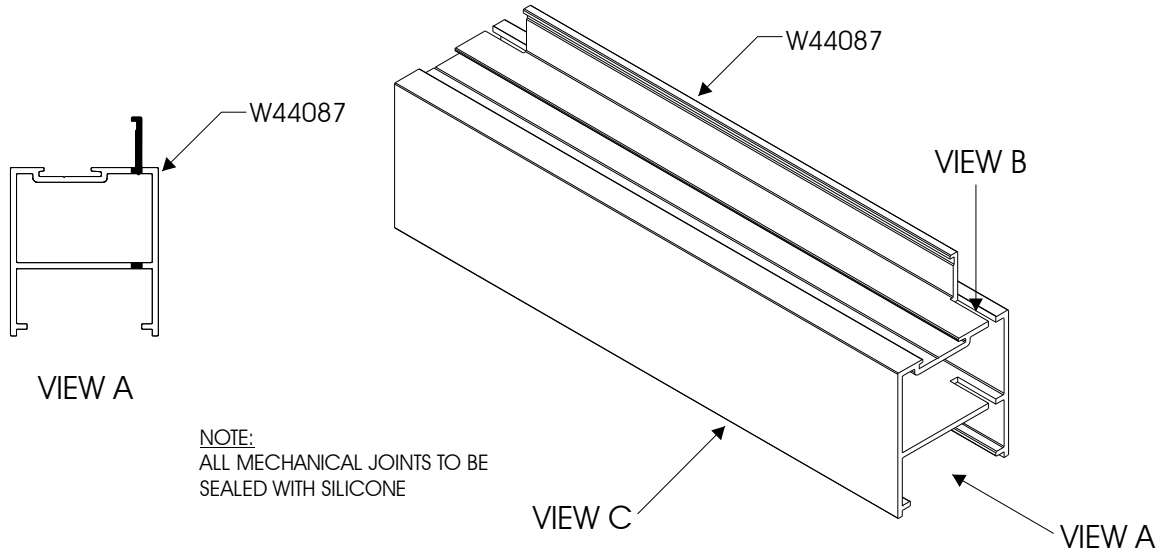
OXX & 3 PANEL MULTI
SLIDER = 1 SIDE ONLY



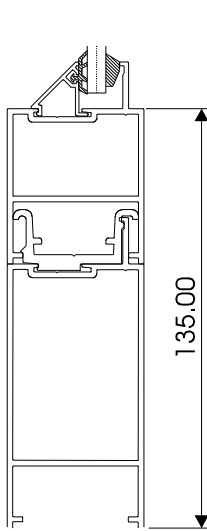
OXXXXO & 6 PANEL MULTI
SLIDER = BOTH SIDES



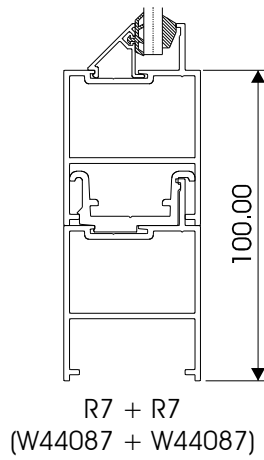
CREALCO PALACE
 SLIDING DOOR SYSTEM
 HEAD/SILL RAIL
 MACHINING DETAIL TO SUIT
 ALL COMBINATIONS



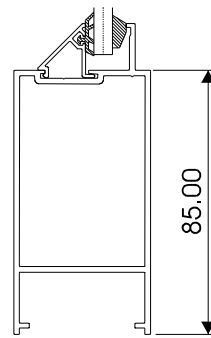
CREALCO PALACE SLIDING DOOR SYSTEM SILL COMBINATIONS



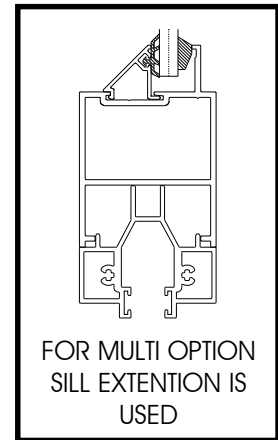
R7 + R4
(W44087 + W44088)



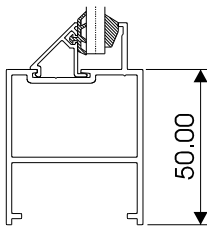
R7 + R7
(W44087 + W44087)



R4
(W44088)

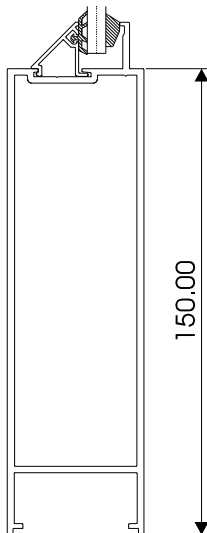


FOR MULTI OPTION
SILL EXTENSION IS
USED

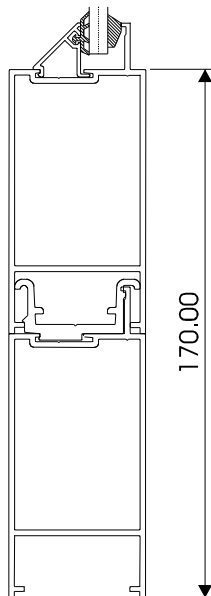


R7
(W44087)

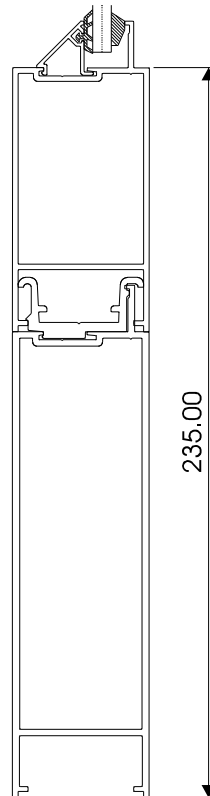
NOTE:
ALL MECHANICAL JOINTS TO BE
SEALED WITH SILICONE



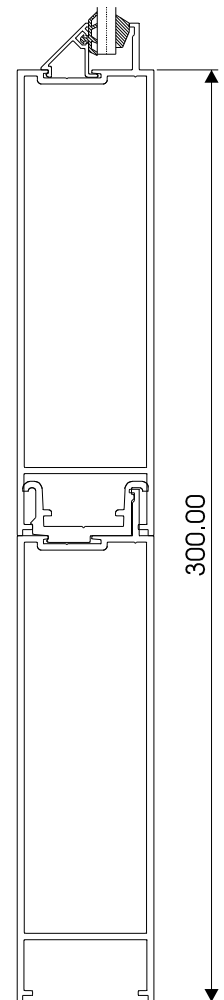
R6
(W44094)



R4 + R4
(W44088 + W44088)

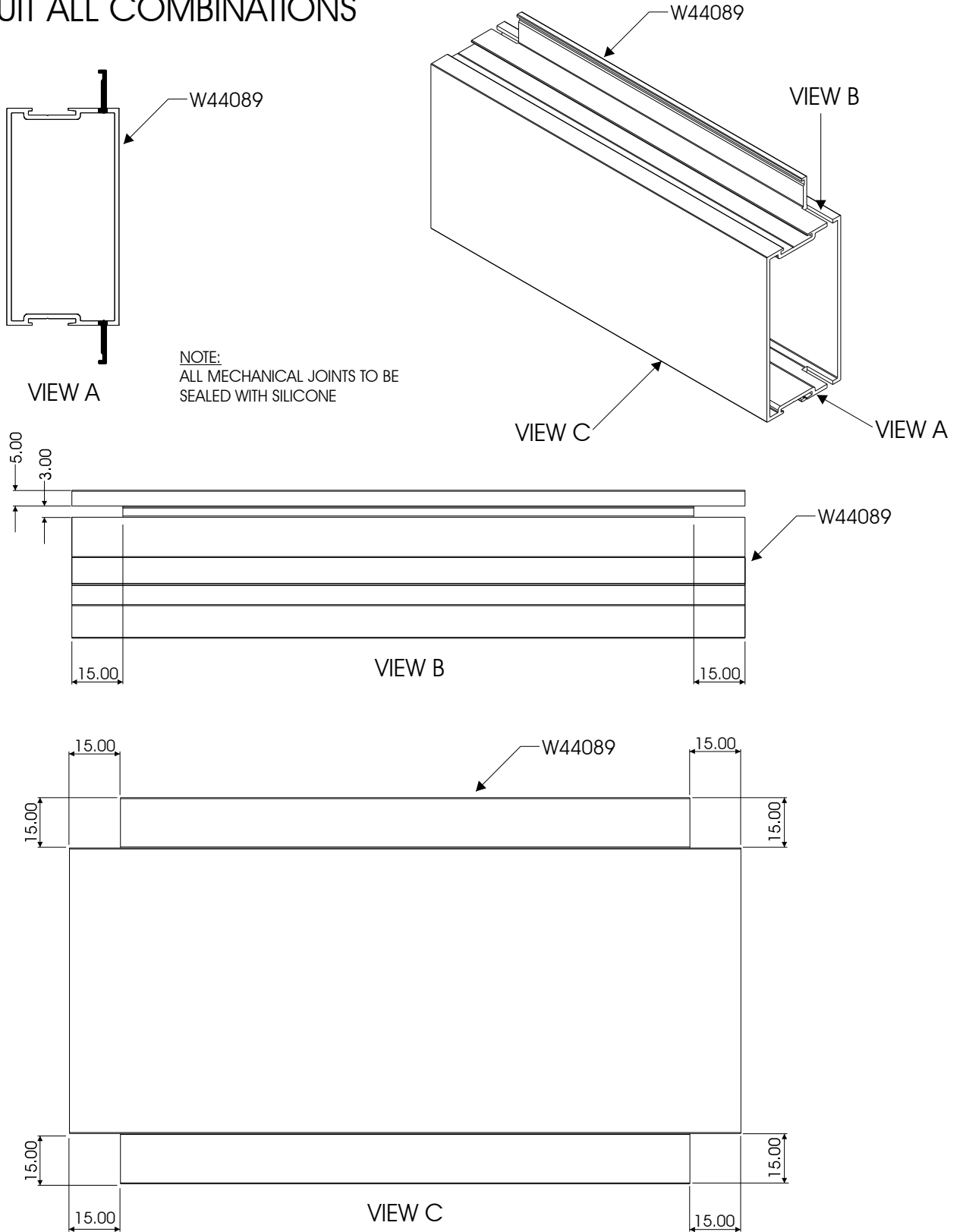


R4 + R6
(W44088 + W44094)

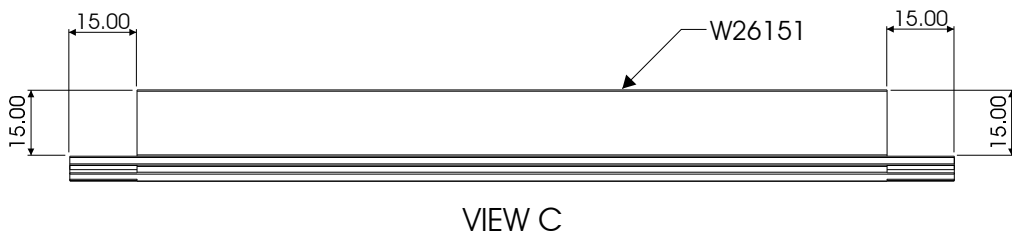
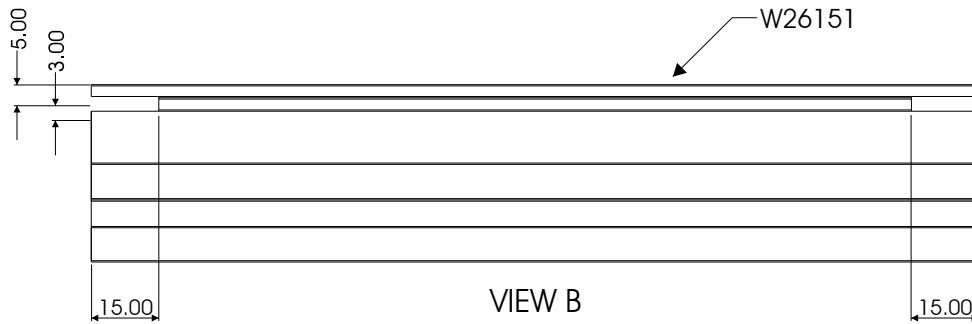
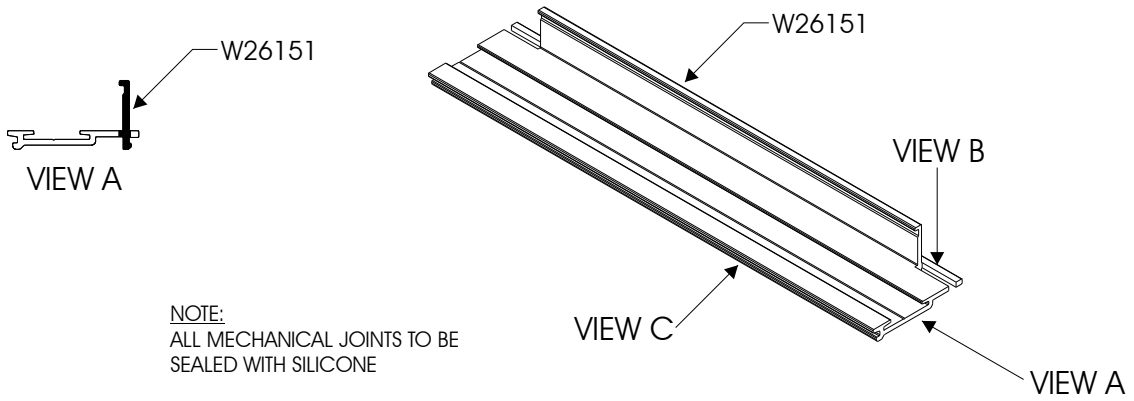


R4 + R6
(W44088 + W44094)

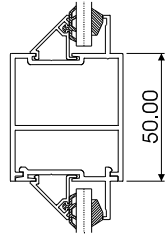
CREALCO PALACE
 SLIDING DOOR SYSTEM
 MIDRAIL MACHINING DETAIL
 TO SUIT ALL COMBINATIONS



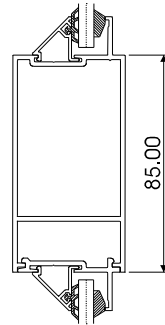
CREALCO PALACE
 SLIDING DOOR SYSTEM
 R4 FILLER ADAPTOR
 MACHINING DETAIL



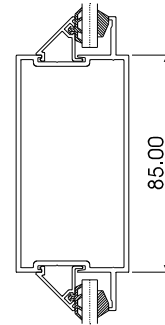
CREALCO PALACE SLIDING DOOR SYSTEM MIDRAIL COMBINATIONS



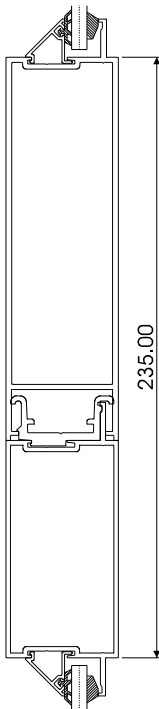
R7 + R4 FILLER
(W44087 + W26151)



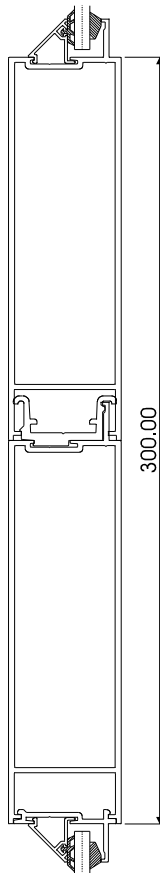
R4 + R4 FILLER
(W44088 + W26151)



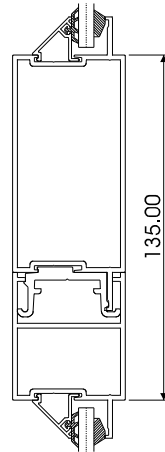
R4SP
(W44089)



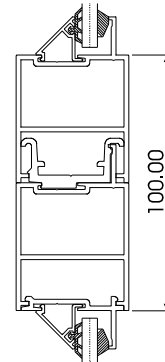
R6 + R4SP
(W44094 + W44089)



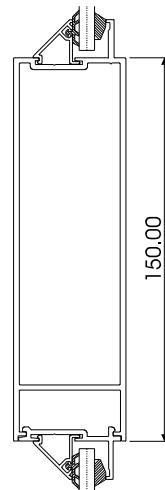
R6 + R6 + R4 FILLER
(W44094 + W44094 + W44094 +
W26151)



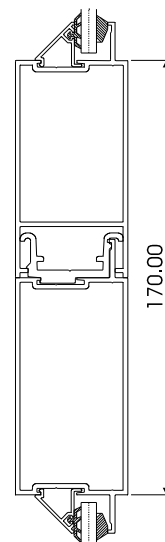
R7 + R4SP
(W44087 + W44089)



R7 + R7 + R4 FILLER
(W44087 + W44087 +
W26151)



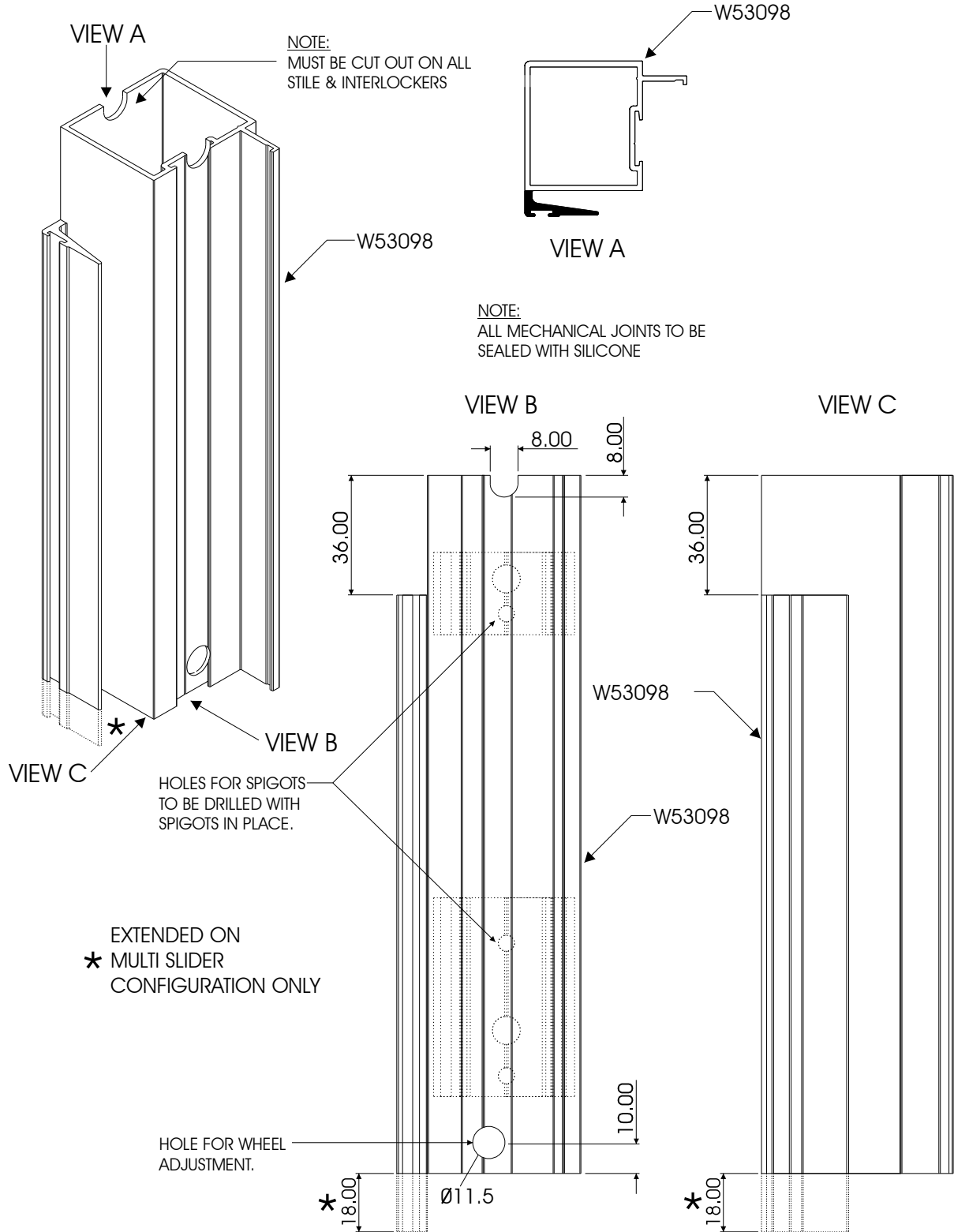
R6 + R4 FILLER
(W44094 + W26151)



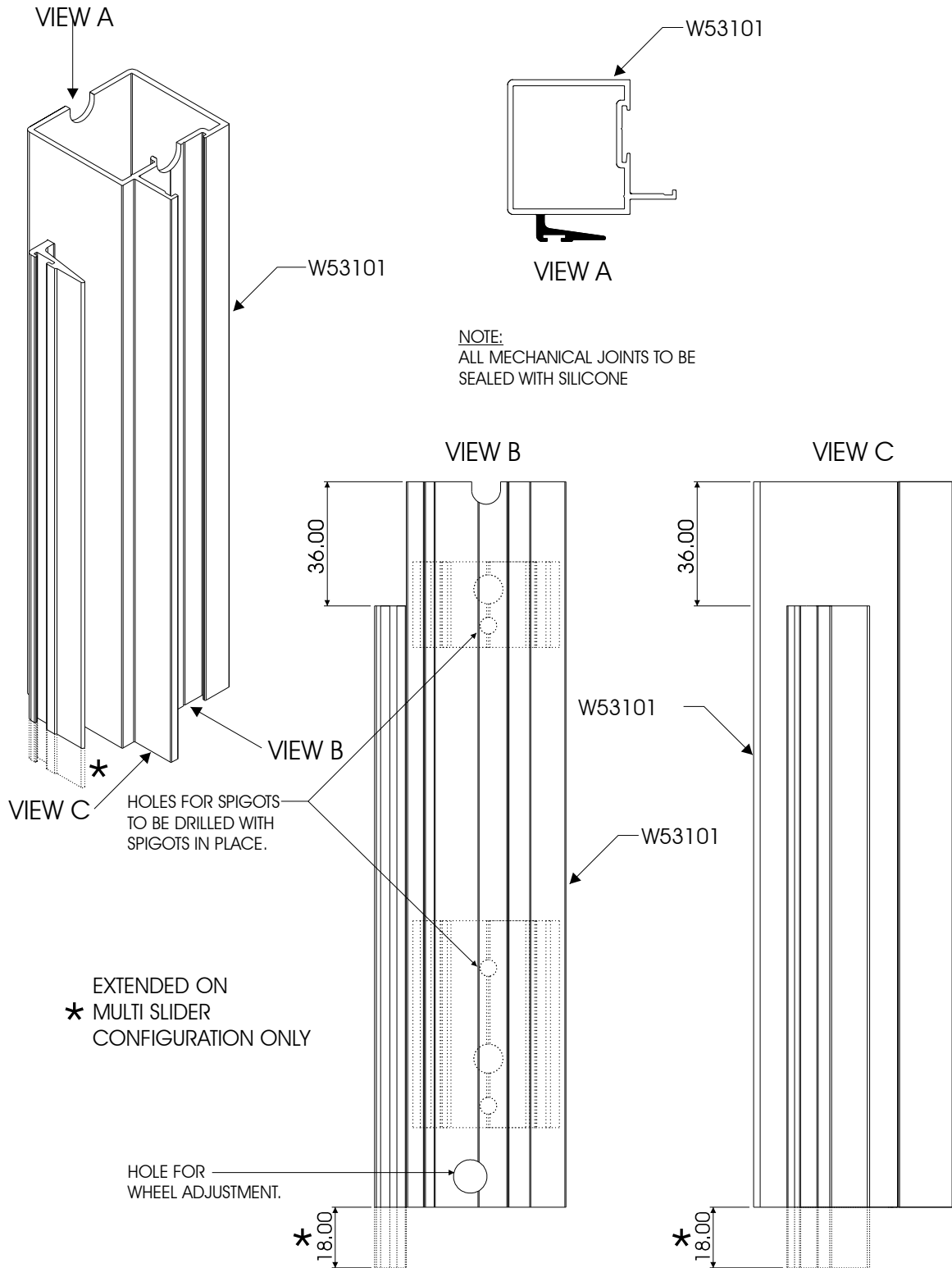
R4 + R4SP
(W44088 + W44089)

NOTE:
ALL MECHANICAL JOINTS TO BE
SEALED WITH SILICONE

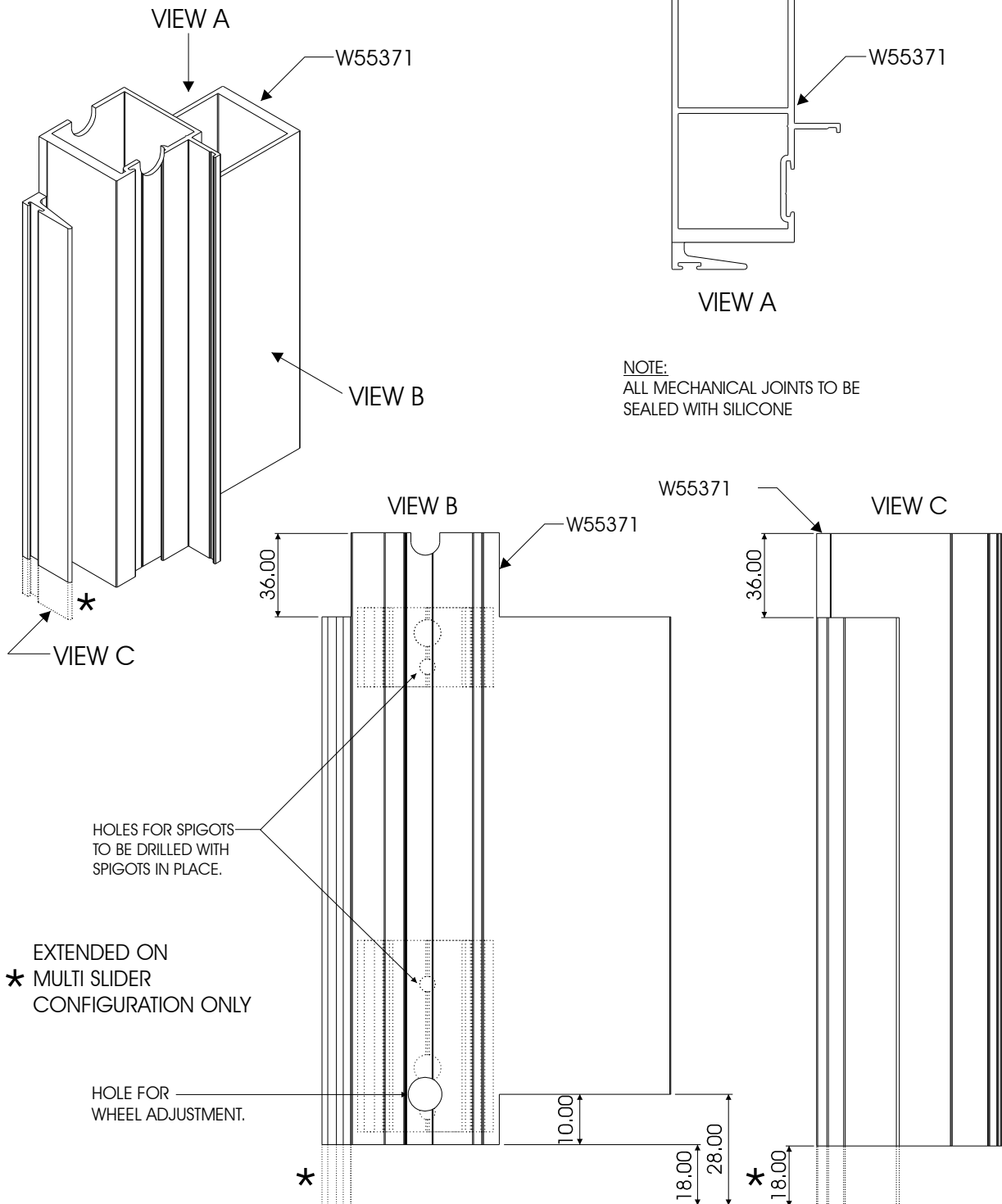
CREALCO PALACE
SLIDING DOOR SYSTEM
FIXED INTERLOCKER
MACHINING DETAIL



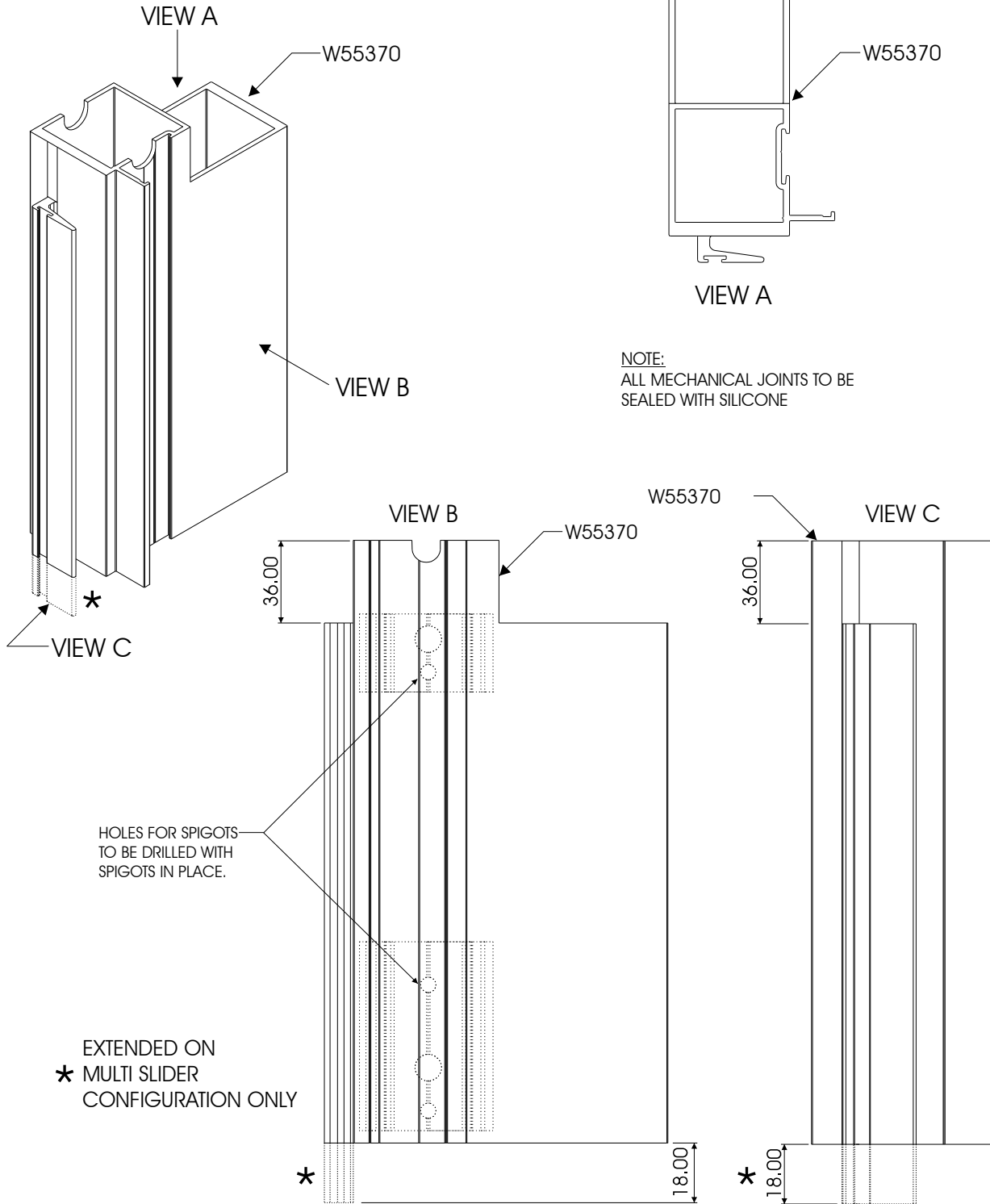
CREALCO PALACE
SLIDING DOOR SYSTEM
SLIDING INTERLOCKER
MACHINING DETAIL



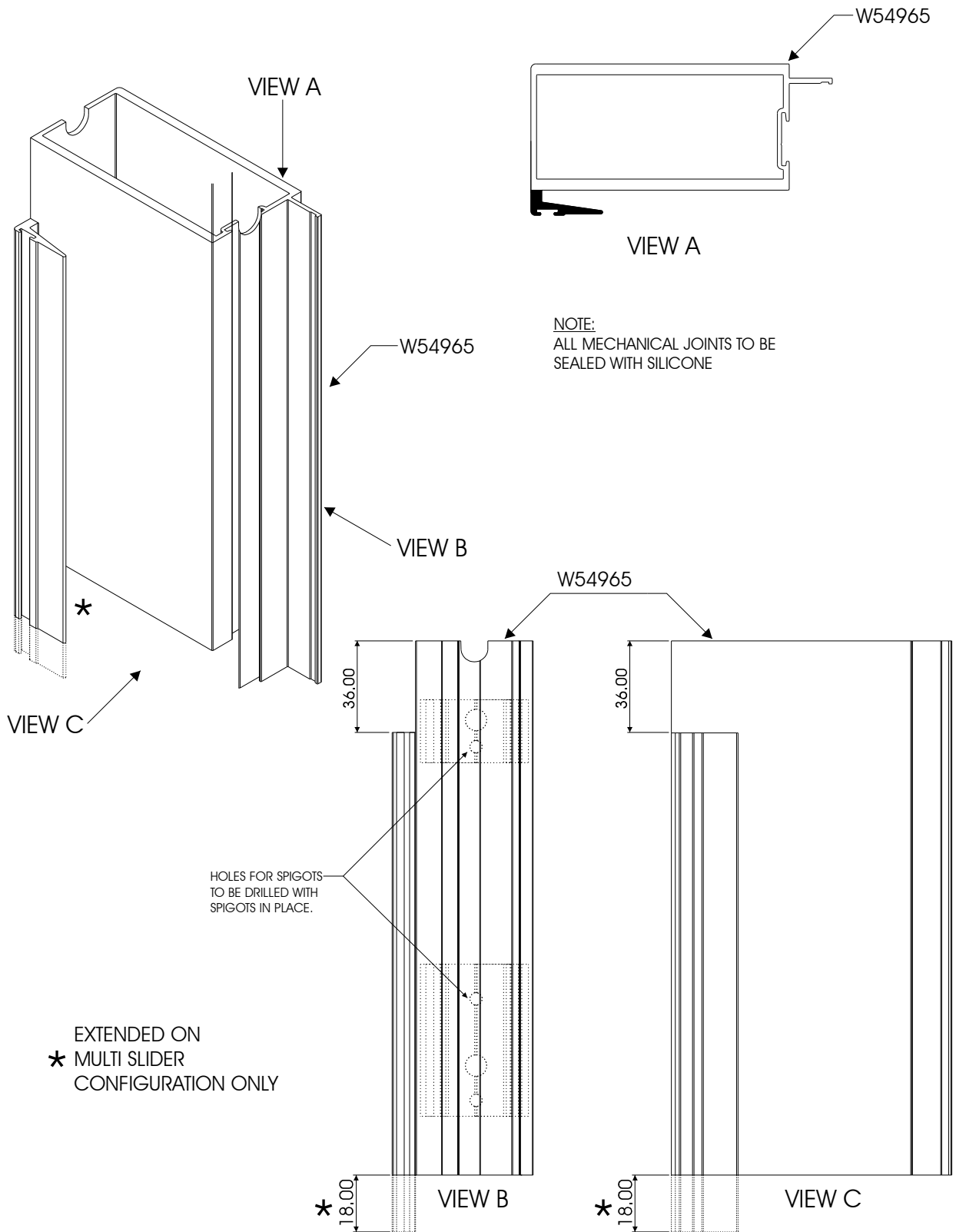
CREALCO PALACE
SLIDING DOOR SYSTEM
FIXED HEAVY DUTY
INTERLOCKER
MACHINING DETAIL



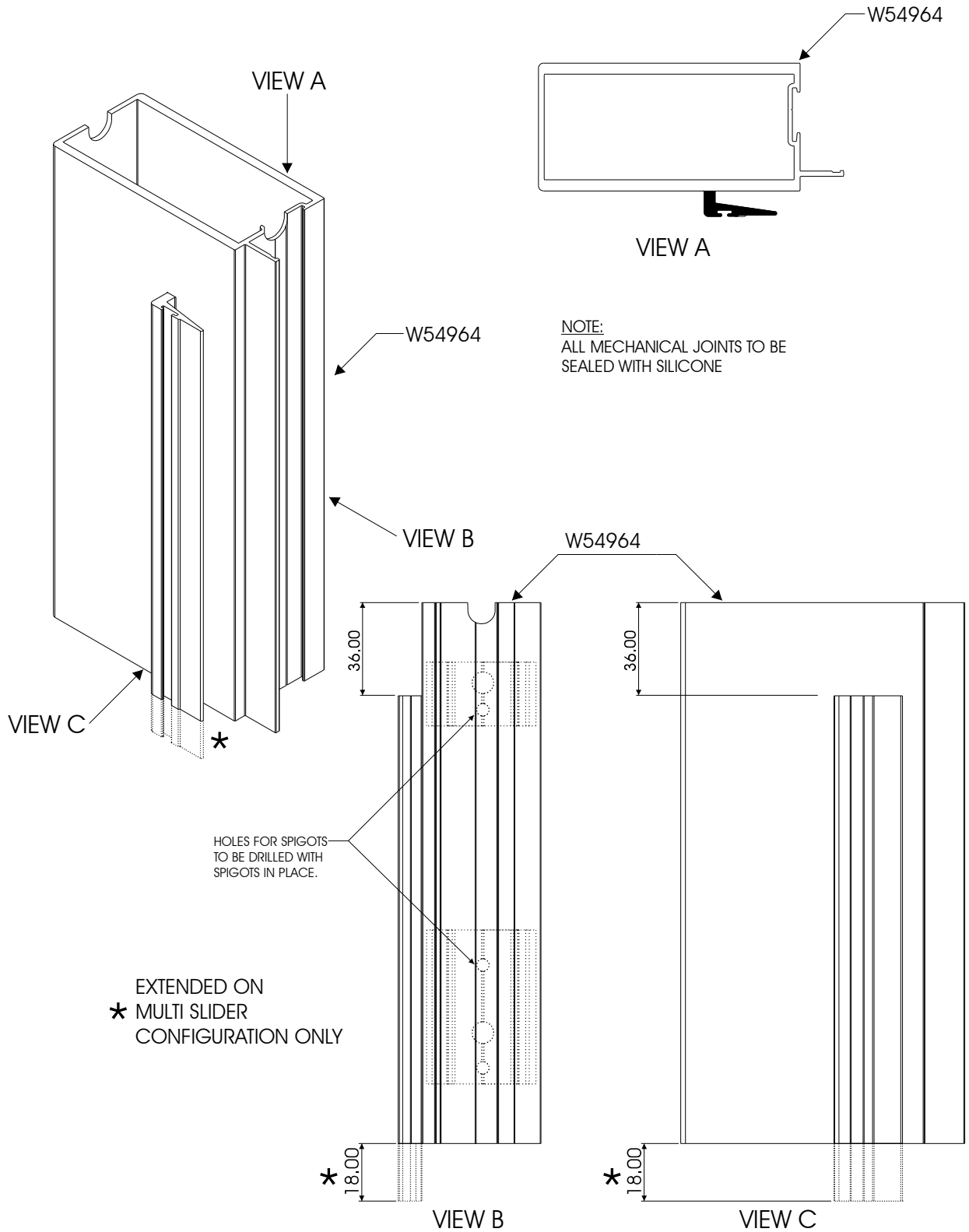
CREALCO PALACE
 SLIDING DOOR SYSTEM
 SLIDING HEAVY DUTY
 INTERLOCKER
 MACHINING DETAIL



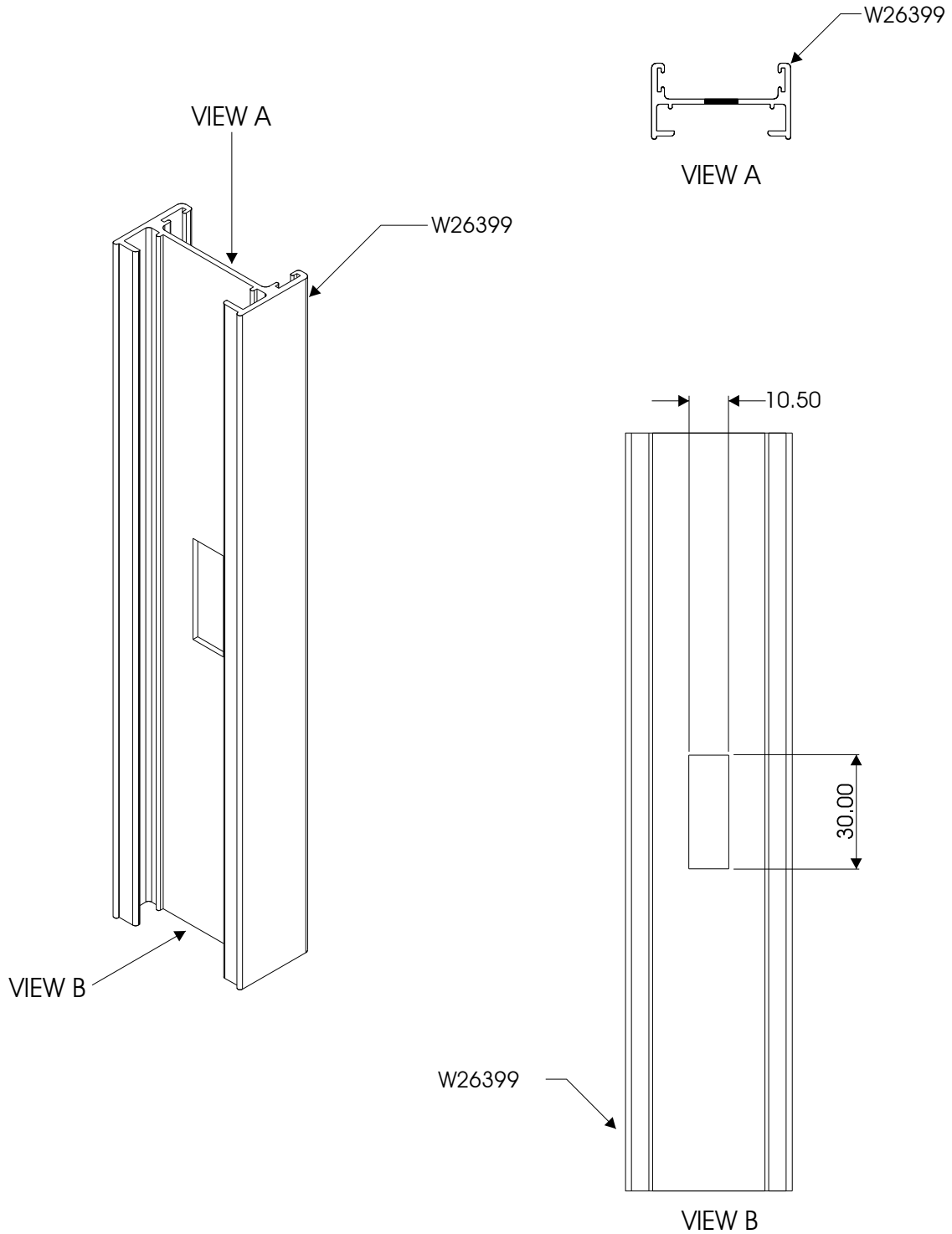
CREALCO PALACE
SLIDING DOOR SYSTEM
90mm FIXED INTERLOCKER
MACHINING DETAIL



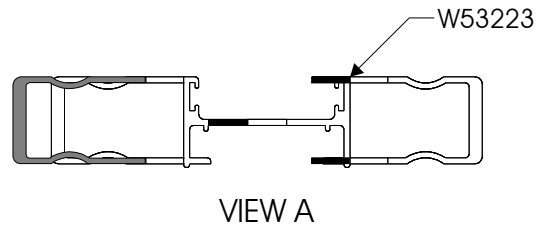
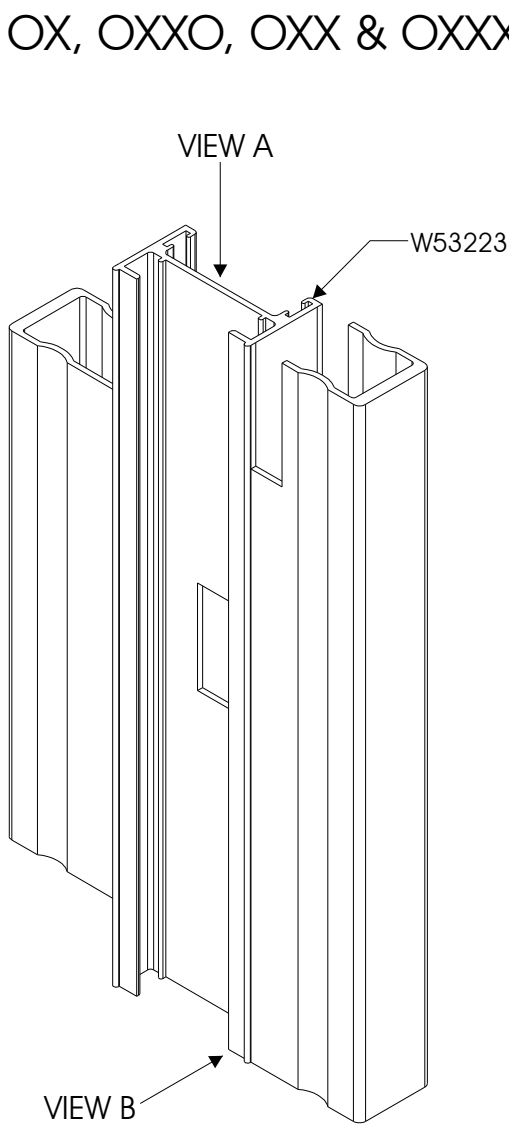
CREALCO PALACE
SLIDING DOOR SYSTEM
SLIDING INTERLOCKER
MACHINING DETAIL



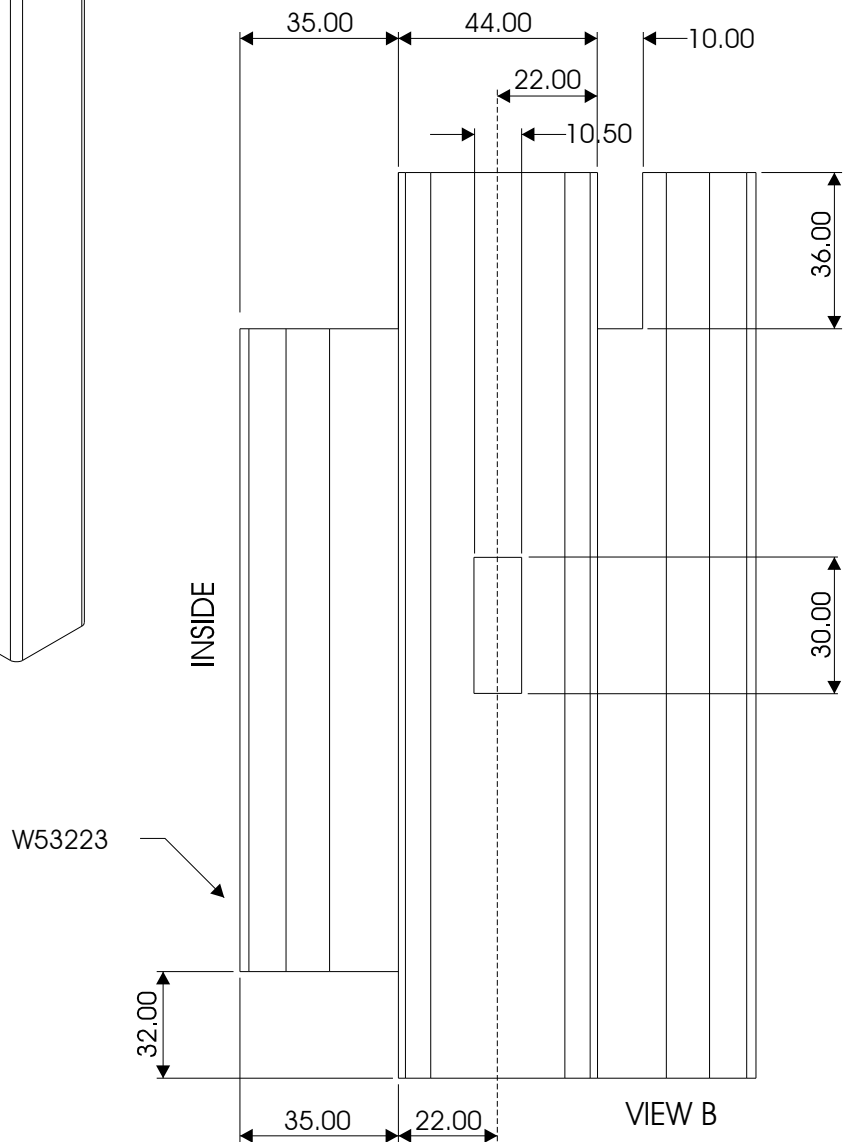
CREALCO PALACE
SLIDING DOOR SYSTEM
ASTRAGAL MACHINING DETAIL



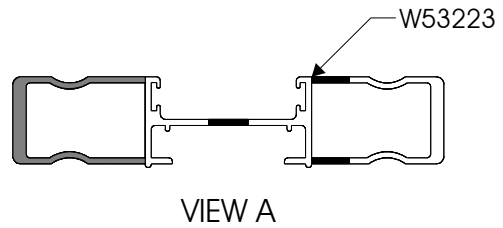
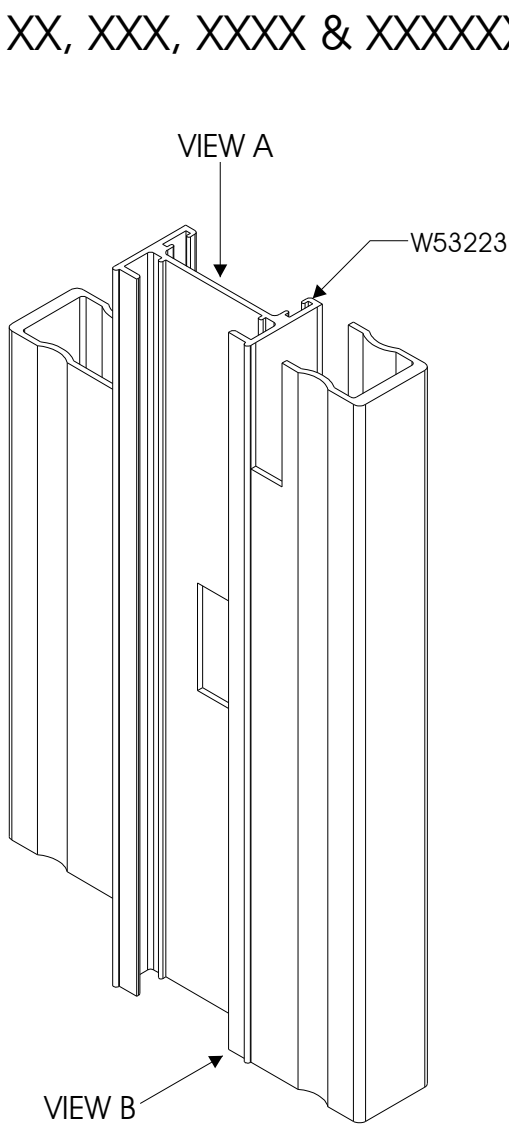
CREALCO PALACE
 SLIDING DOOR SYSTEM
 HEAVY DUTY ASTRAGAL
 MACHINING DETAIL
 FOR OX, OXXO, OXX & OXXXXO



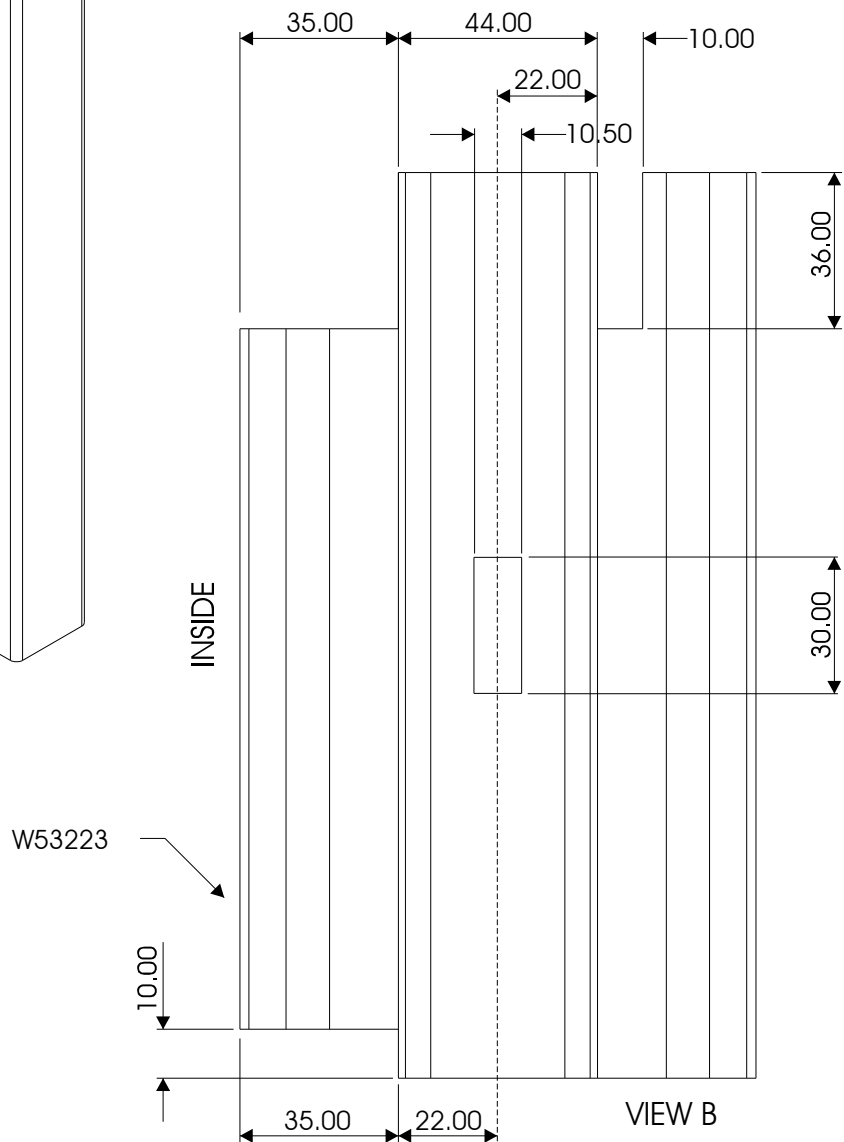
NOTE: SHARP MACHINED EDGES
 TO BE ROUNDED TO
 PREVENT UNDUE WOOLPILE
 WEAR.



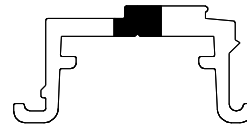
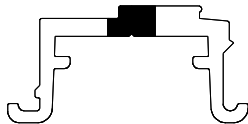
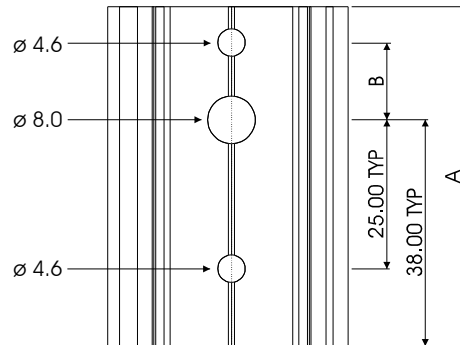
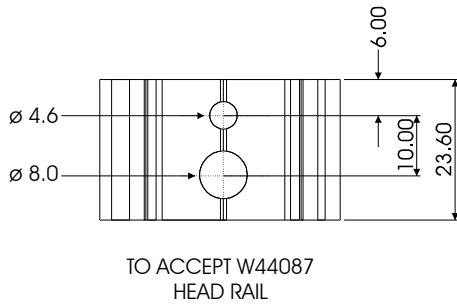
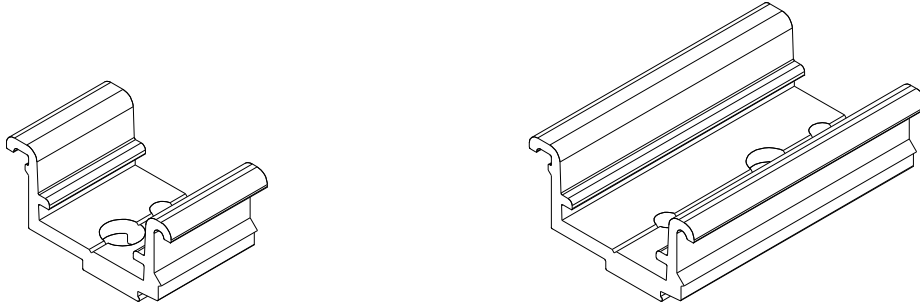
CREALCO PALACE
 SLIDING DOOR SYSTEM
 HEAVY DUTY ASTRAGAL
 MACHINING DETAIL
 FOR XX, XXX, XXXX & XXXXXXXX



NOTE: SHARP MACHINED EDGES
 TO BE ROUNDED TO
 PREVENT UNDUE WOOLPILE
 WEAR.

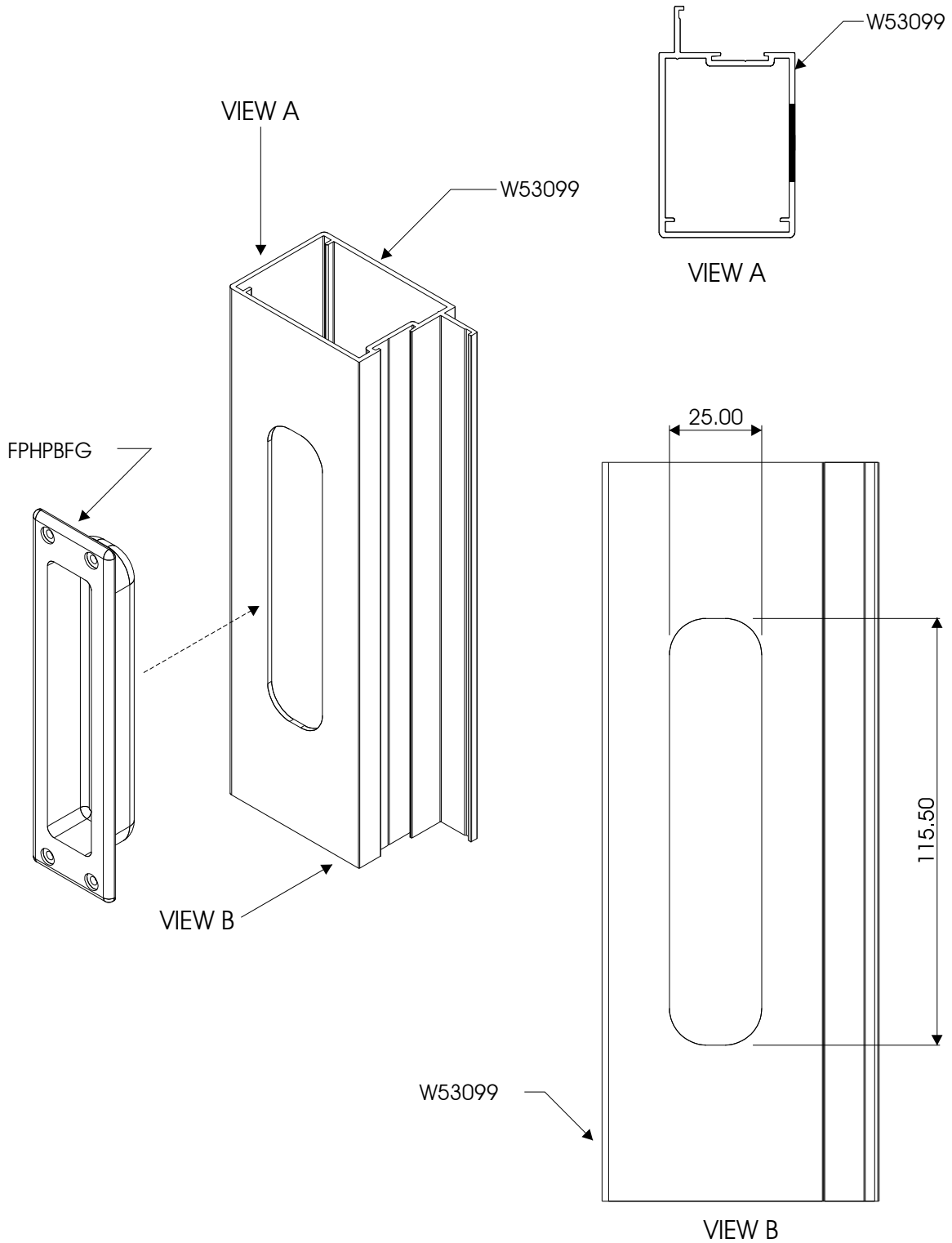


CREALCO PALACE
SLIDING DOOR SYSTEM
SPIGOT MACHINING DETAIL

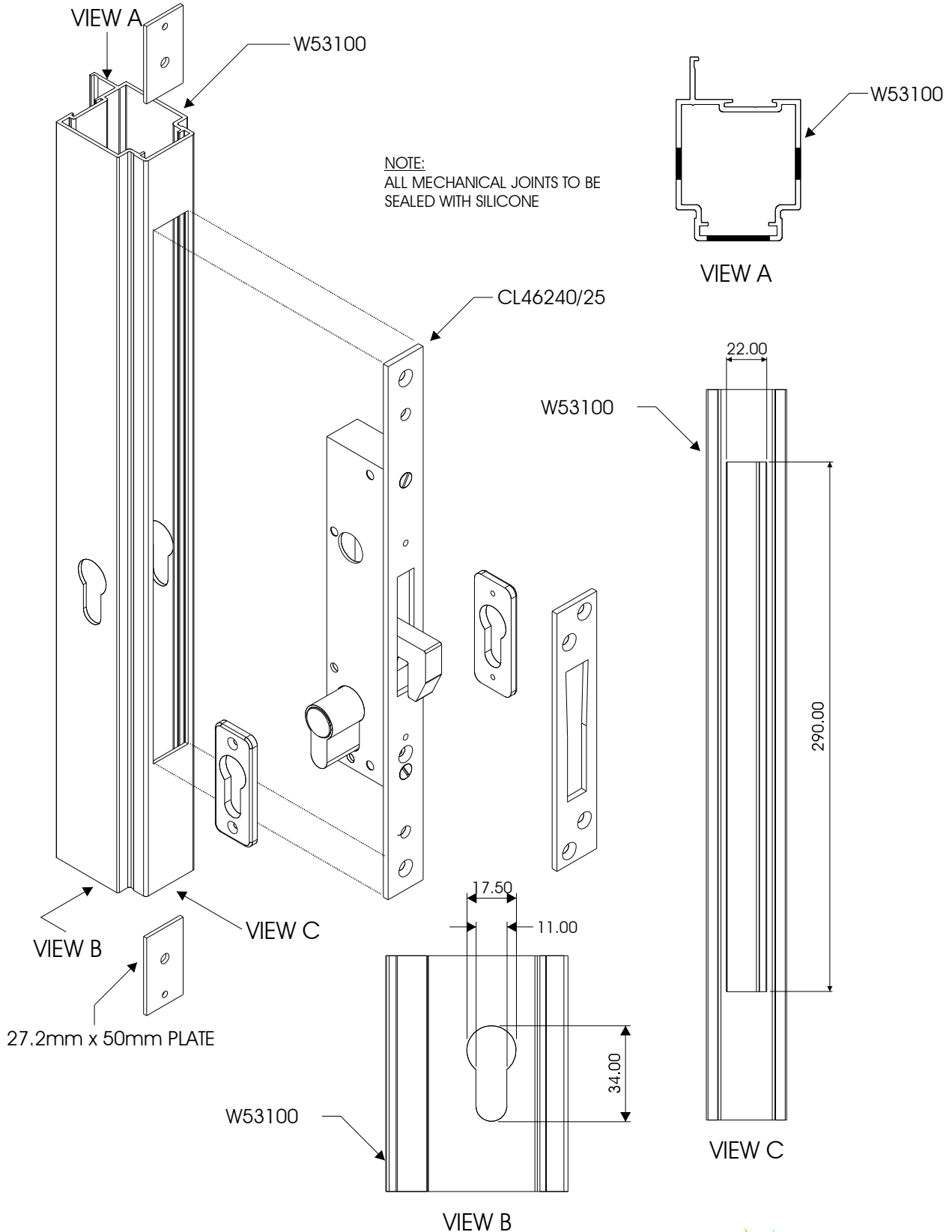


SECTION	DIM A	DIM B
W44088 BOTTOM RAIL	56.8	11
W44094 BOTTOM RAIL	123.2	50
W44089 MIDRAIL	76	30

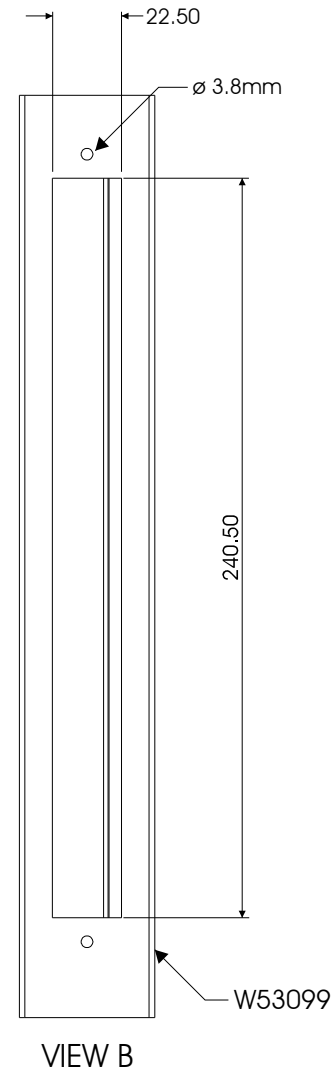
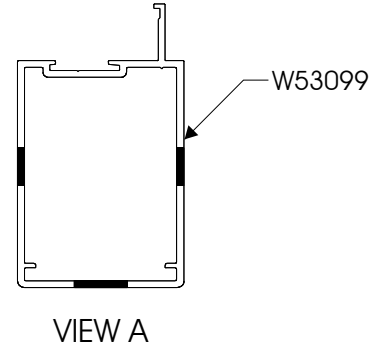
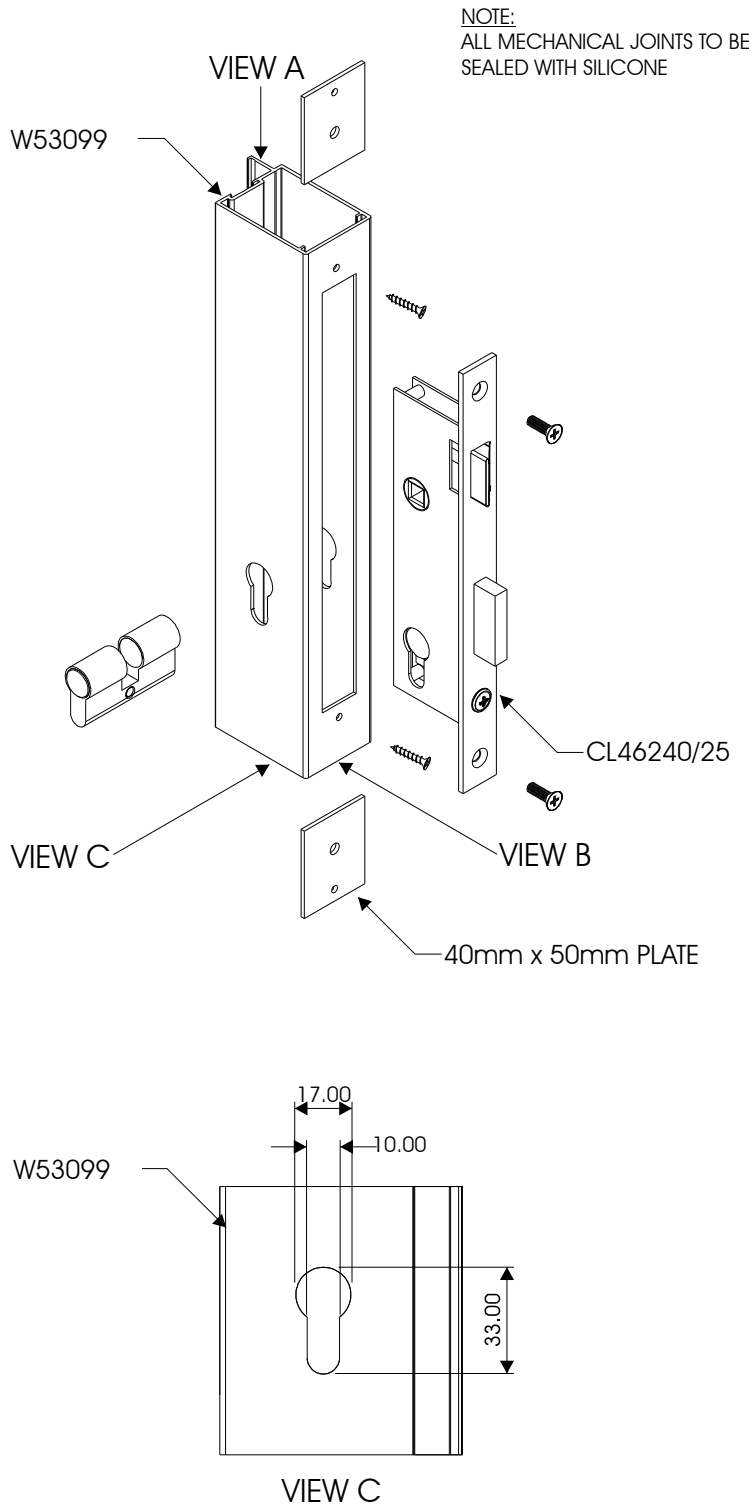
CREALCO PALACE
SLIDING DOOR SYSTEM
HANDLE MACHINING DETAIL



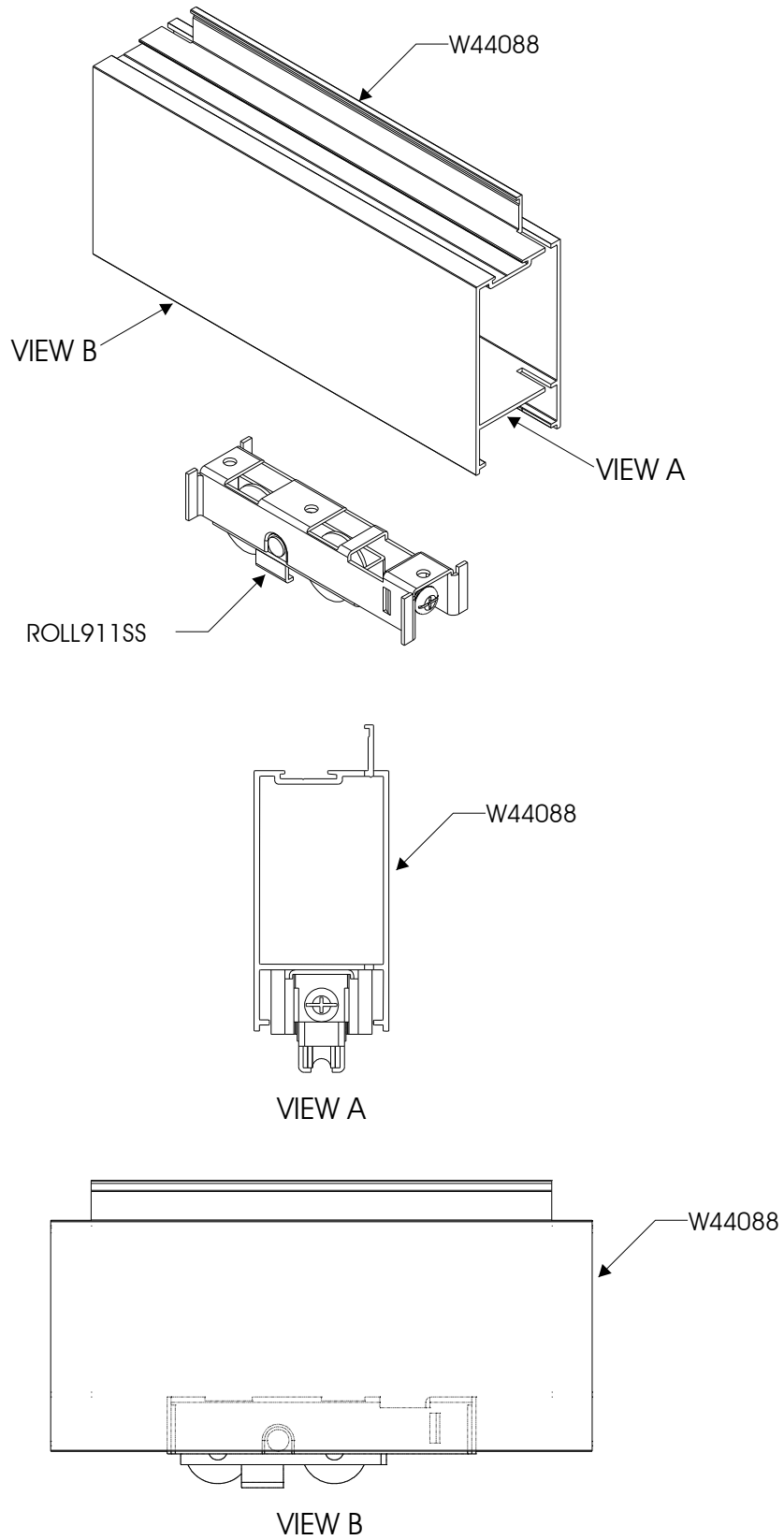
CREALCO PALACE
SLIDING DOOR SYSTEM
LOCK MACHINING DETAIL
ON MEETING STILE



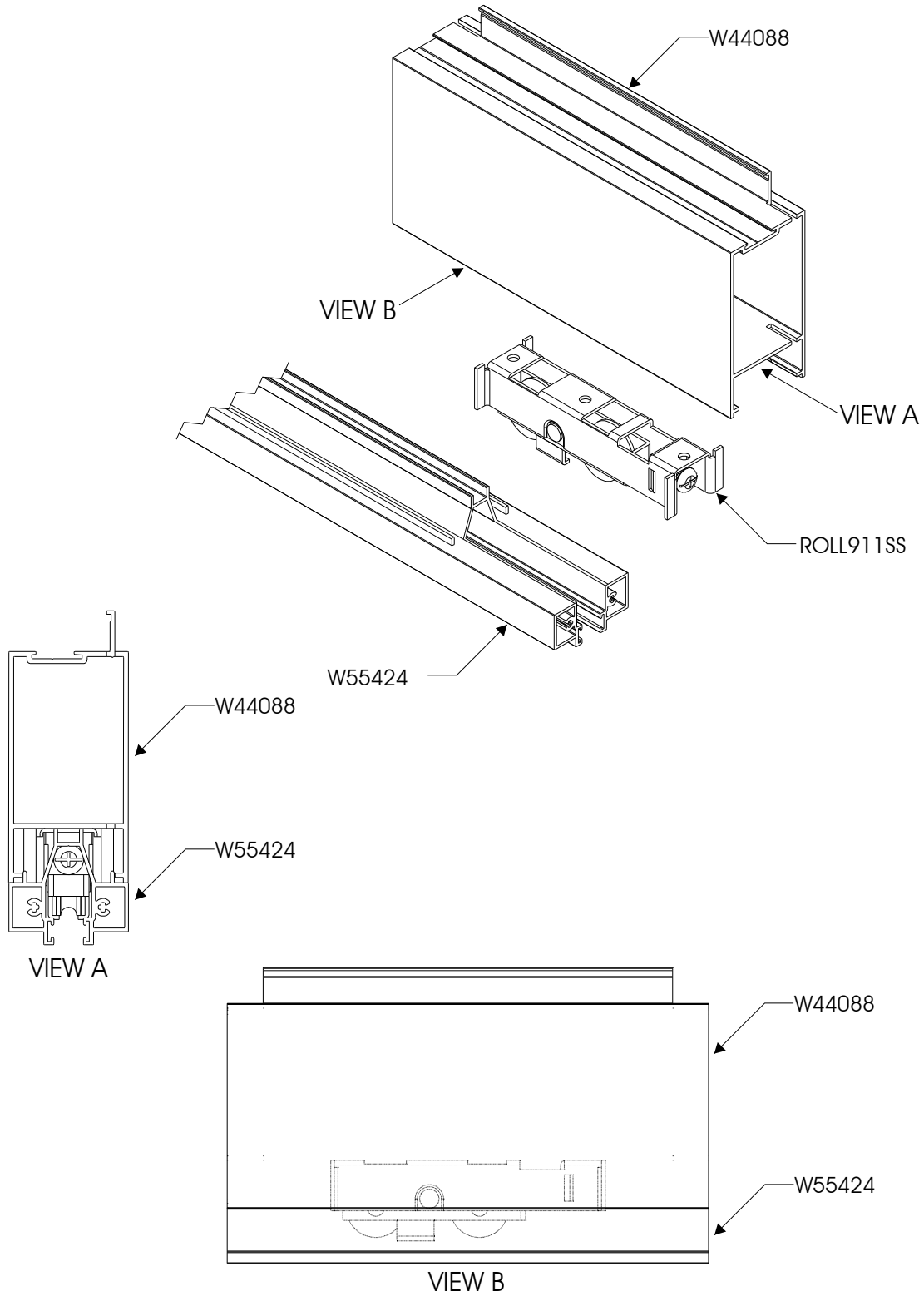
CREALCO PALACE
 SLIDING DOOR SYSTEM
 LOCK MACHINING DETAIL
 ON DOOR STILE TO SUIT
 ALL COMBINATIONS



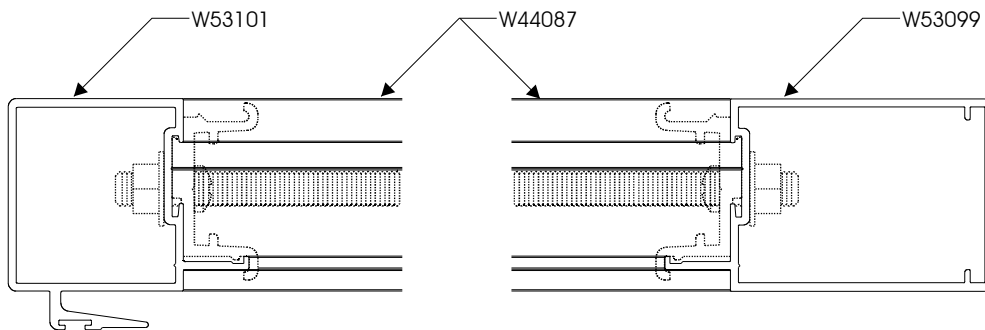
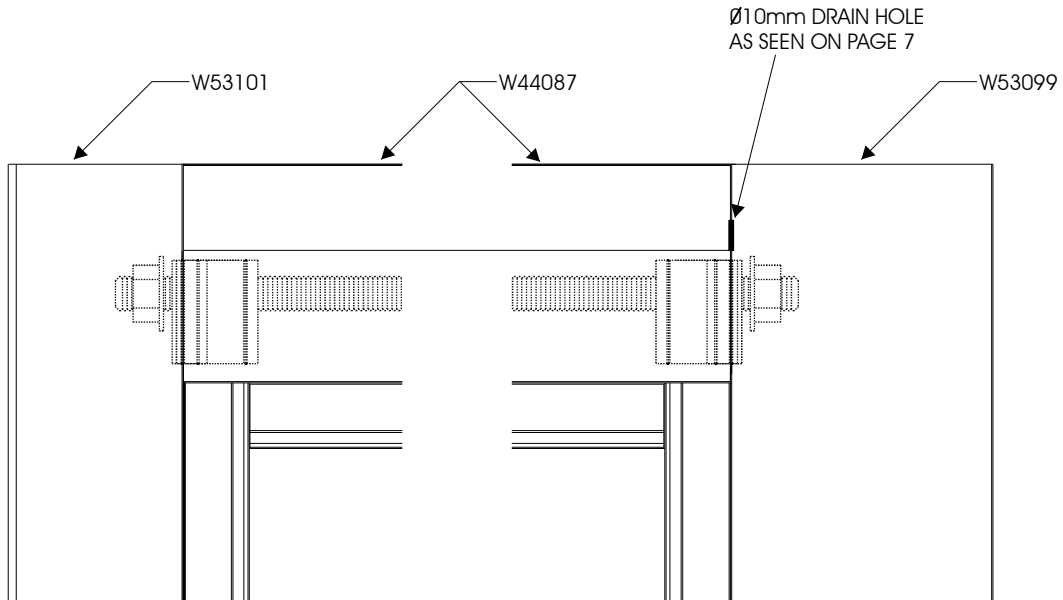
CREALCO PALACE
SLIDING DOOR SYSTEM
ROLLER ASSEMBLY DETAIL



CREALCO PALACE
SLIDING DOOR SYSTEM
ROLLER ASSEMBLY DETAIL
ON MULTI SLIDER



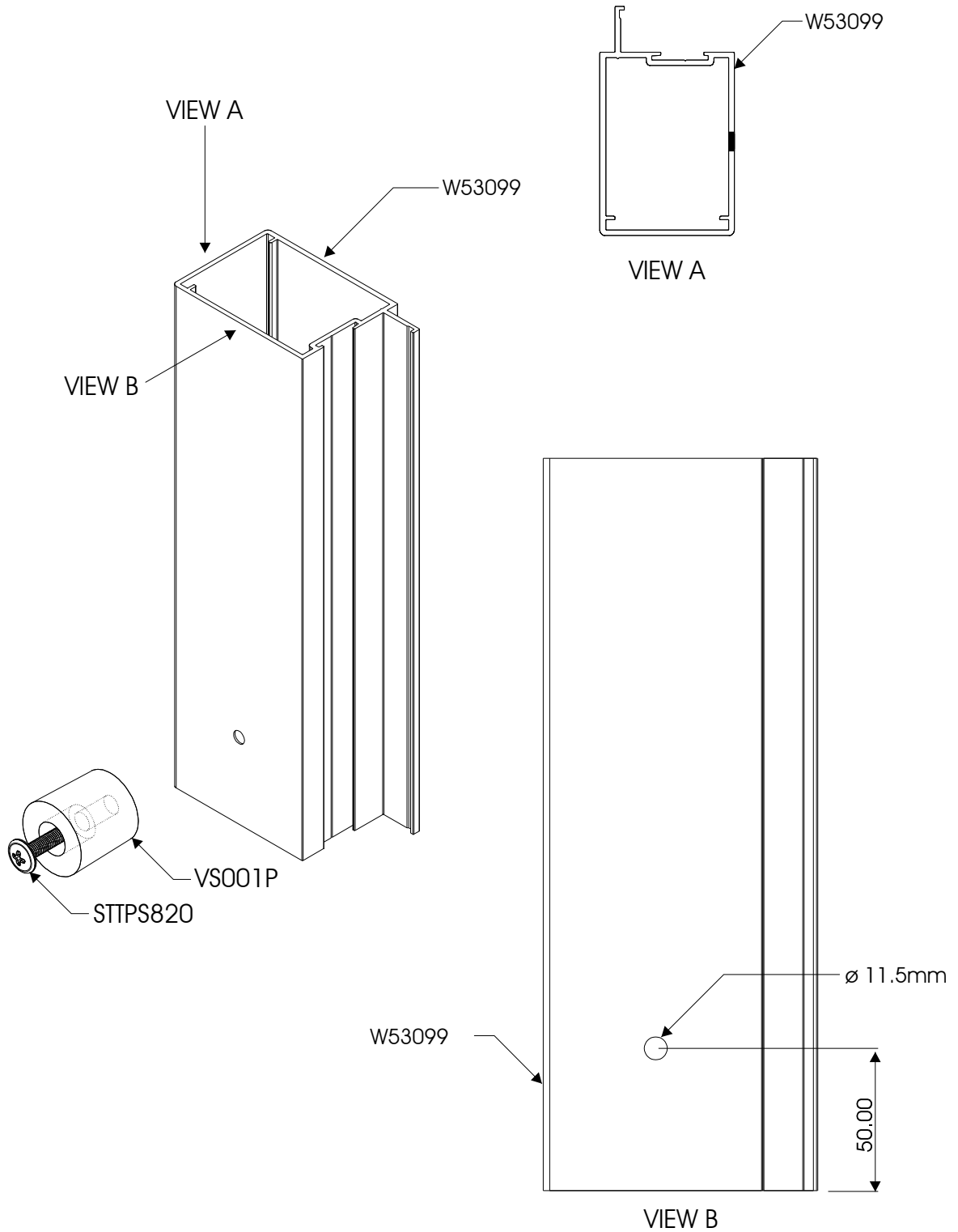
CREALCO PALACE
SLIDING DOOR SYSTEM
ROD & SPIGOT ASSEMBLY DETAIL



DETAIL TYPICAL TO HEAD AND SILL OF FIXED AND SLIDING LIGHTS

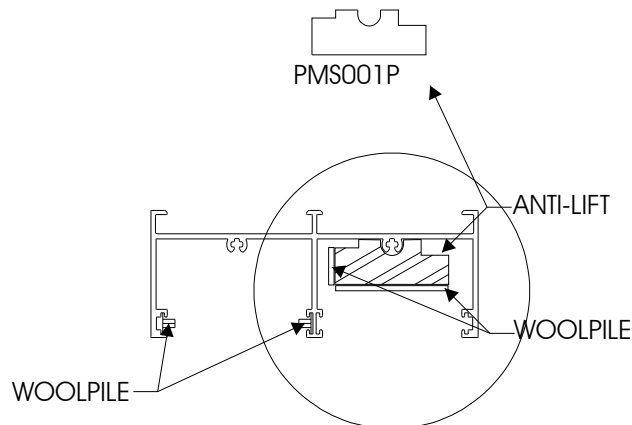
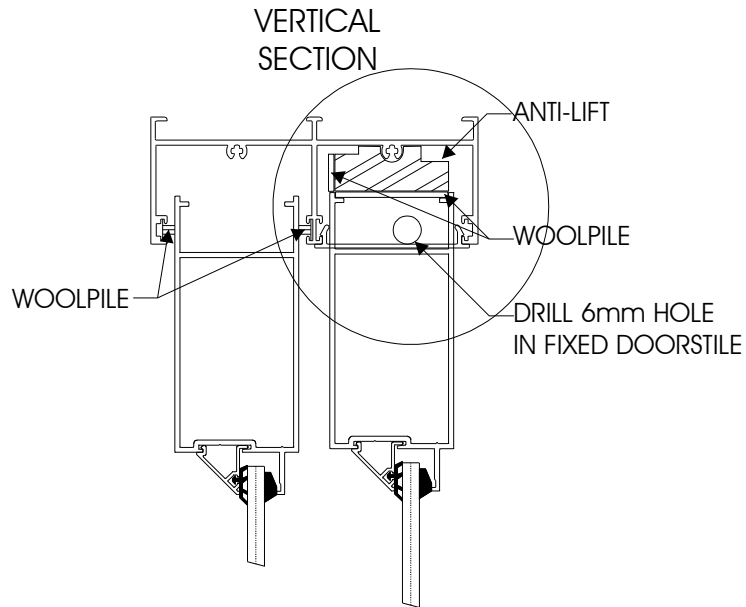
1. ATTACH SPIGOTS TO STILES WITH NO 8 FIXING SCREWS (STPPS830)
2. FASTEN STILES TO TOP AND BOTTOM RAILS WITH NUTS (NVT8MM) AND THREADED RODS (TR8MM). USE WASHERS (WSH8MM).
3. ENSURE ALL MATING JOINTS ARE BEDDED IN SEALANT BEFORE ASSEMBLY.

CREALCO PALACE
 SLIDING DOOR SYSTEM
 STOPPER ASSEMBLY DETAIL
 FOR OX, XXX, OXXXXO & XXXXXX



CREALCO PALACE SLIDING DOOR SYSTEM AAAMSA TEST

TO PASS A1 WATER AND WIND TEST A ANTI-LIFT
WITH STICK ON WOOLPILE MUST BE SEALED IN ON
TOP OF FIXED PANEL AT INTERLOCK AND A 6MM
DRAINAGE HOLE AT FIXED DOORSTILE AT TOP



CREALCO PALACE SLIDING DOOR SYSTEM SETTING BLOCK LOCATION

GLAZING

1. SELECTION OF GLAZING METHODS

1.1 SETTING AND LOCATION BLOCKS

Glass-to-metal contact must be avoided at all times by using setting and location blocks having a hardness of 50° to 90° shore A durometer. Use only blocks made of Neoprene, EPDM, Silicone or other elastomeric material.

Setting blocks are to have a minimum thickness of 3mm and must be at least 27mm in length per square metre of glass area.

In the event of laminated glass and/or sealed insulated glass units drainage is to be provided to prevent the glass edge to be submerged. Two or more 7mm diameter holes or 5mm x 9mm slotted holes, or larger, are to be equally spaced in the sill section of sash or frame to allow for such ventilation/drainage.

The position of the setting and location blocks is illustrated in Figure 2.

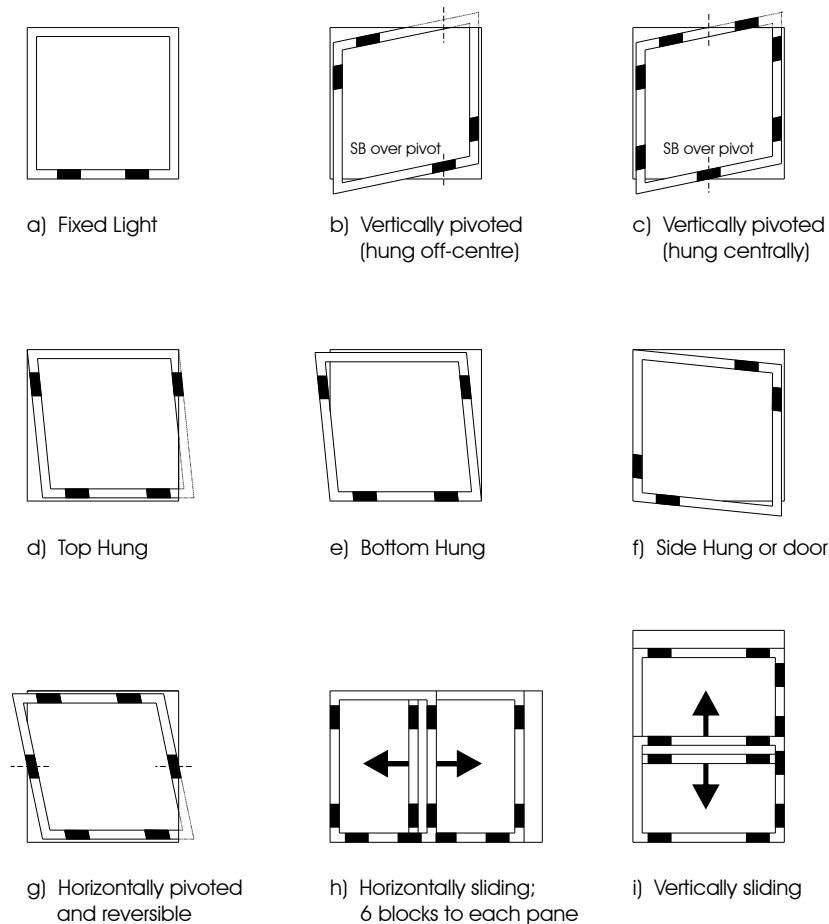


FIGURE 2 - POSITION OF SETTING AND LOCATION BLOCKS